



ROOF ACCESSORIES CATALOG

DIVISION 07 72 30

DIVISION 07 72 33

DIVISION 07 72 36

ROOFTOP PIPE SUPPORTS

ROOF HATCHES

SAFETY RAILINGS

SAFETY POSTS

EQUIPMENT HATCHES

SMOKE VENTS



ACTIVAR CONSTRUCTION PRODUCTS GROUP INC.



TABLE OF CONTENTS

ROOF HATCHES.....	3-5
EQUIPMENT HATCHES.....	SEE DUR-RED CATALOG
SMOKE VENTS.....	SEE DUR-RED CATALOG
PIPE SUPPORTS	6
SAFETY ACCESSORIES	7-8

COMPLIANCE: IBC & OSHA

HEADROOM CLEARANCE:

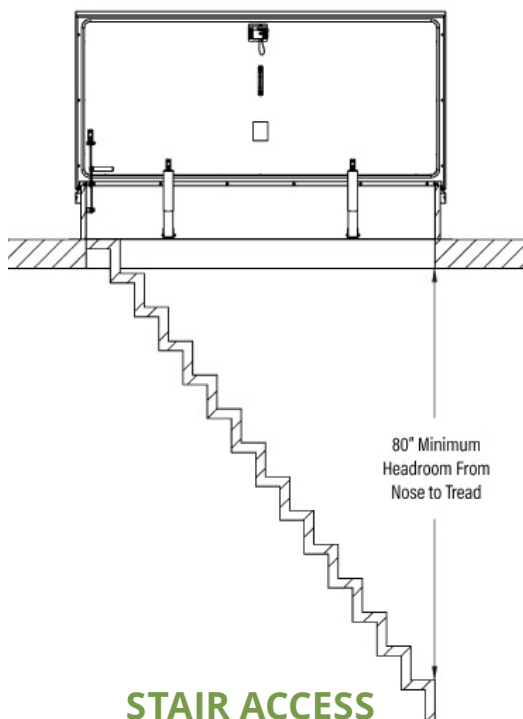
Both 2018 International Building Code (IBC) 1011.3 and Occupational Safety and Health Administration (OSHA) 1910.25(b)(2) require 80" minimum stairway headroom clearance, as shown in the Stair Access image below.

To provide adequate clearance for emergency personnel, and protect workers from injury while using the hatch, OSHA 1910.23(d)(13)(ii) specifies a minimum clearance of 30" between the centerline of the ladder rungs to the back edge (hinged side) of the hatch opening. Also, the minimum clearance may be reduced to 24 inches, provided deflector plates are installed, as shown in the Ladder Access image below.

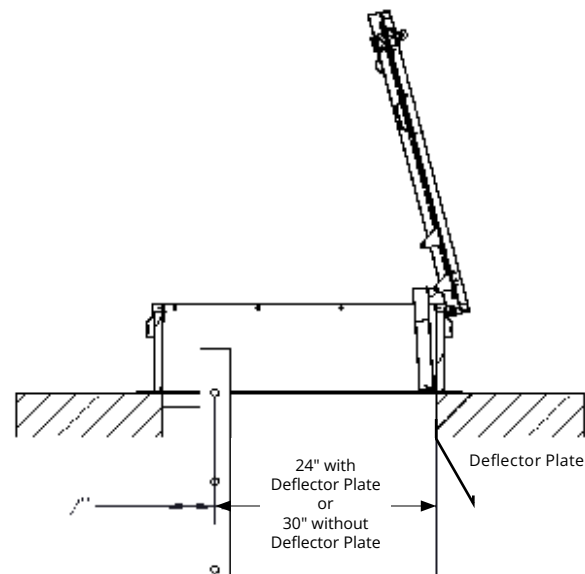
SIZING:

In buildings of 4 or more stories above grade plane, IBC requires certain buildings to provide access to the roof. 2018 IBC 1011.12.2 Roof Access states: "In buildings without an occupied roof, access to the roof shall be permitted to be a roof hatch or trap door not less than 16 square feet (1.5 m²) in area and having a minimum dimension of 24 inches (610 mm)."

ACPG RECOMMENDS TWO SIZES THAT MEET THIS 16 SQ FT STANDARD 32" X 72" FOR STAIR ACCESS | 48" X 48" FOR LADDER ACCESS



STAIR ACCESS



LADDER ACCESS

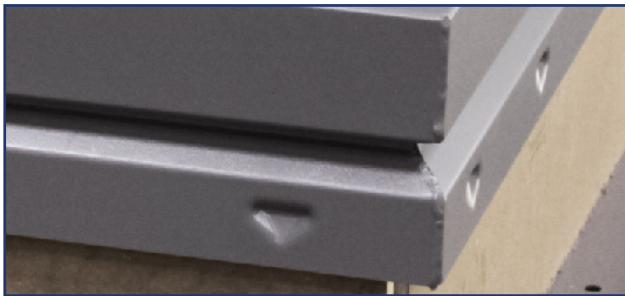
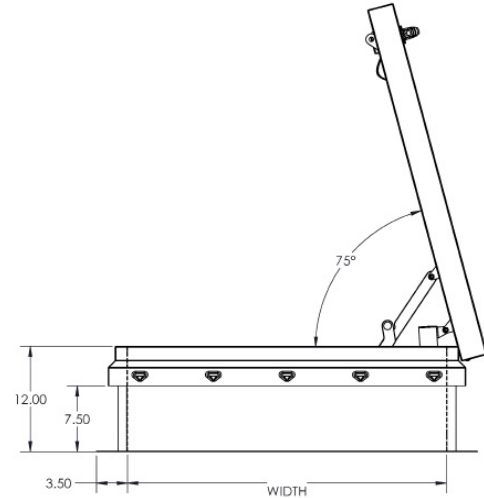




DIAMOND SERIES™: ROOF HATCH

Roof hatches provide convenient access to the rooftop from the inside of commercial buildings. The Diamond Series brings you the most value in a standard roof hatch.

- Innovative Diamond Grip™ feature offers easier installation without tools.
- Reduce building energy costs with an R-6 insulation value in both curb and cover.
- Counterbalanced spring design makes cover easier to operate for compliance with OSHA standards for one-handed operation while on a ladder.
- Durable IR-reflective white or aluminum mill finish minimizes heat buildup.



Closeup of the Diamond Grip on the RHDA-1GT



Section Showing Diamond Grip, Backer Rod and Membrane



RHDG-1WT



RHDG-6WT



RHDA-1GT



RHDA-3

LADDER ACCESS

STAIR ACCESS



Distributed by
www.AmeraProducts.com
 Phone: (800) 608-6548
 Fax: (409) 840-9941
info@ameraproducts.com



RHDG-1WT



RHDA-1

RHDG DIAMOND SERIES™: STEEL ROOF HATCH

PRODUCT DETAILS:

- Curb Material:** 14 gauge galvanized steel
- Cover Material:** 14 gauge with 22 gauge galvanized steel liner
- Standard Finish:** White textured powder coat
- Curb Construction:** Single wall curb and counterflashing with Diamond Grip to secure roof membrane without tools.
- Cover Construction:** Formed and welded with liner, tested to support a live load of 40 psf.
- Gasket:** Continuous, weatherproof EPDM sponge rubber adhesive-backed seal
- Insulation:** 1" polyisocyanurate in curb and cover with R-6 thermal resistance
- Spring:** Counterbalanced compression springs contained in clear zinc-plated steel cylinders.
- Latch:** Clear zinc-plated steel slam latch with inside and outside handles and padlock hasps. Tested to 50psf wind uplift.
- Hold-Open Arm:** Clear zinc-plated automatic locking hold-open arm with red vinyl grip for one-handed door operation
- Hinge:** Heavy duty clear zinc-plated steel pintle hinge
- Sizes:** Min. size 24" x 24", Max. size 48" x 72" or 36" x 96" (Note: See Dur-Red model RHU for larger sizes)

ADDITIONAL OPTIONS:

Stainless steel hardware; Double wall curb; 2" R-12 & 1.5" R-9 polyiso curb insulation; Curb height 13-22"; Colors: gray, red, bronze textured powder coat

RHDA DIAMOND SERIES™: ALUMINUM ROOF HATCH

PRODUCT DETAILS:

- Curb Material:** 11 gauge aluminum
- Cover Material:** 11 gauge with 18 gauge aluminum liner
- Standard Finish:** Mill
- Curb Construction:** Single wall curb and counterflashing with Diamond Grip to secure roof membrane without tools.
- Cover Construction:** Formed and welded with liner, tested to support a live load of 40 psf.
- Gasket:** Continuous, weatherproof EPDM sponge rubber adhesive-backed seal
- Insulation:** 1" polyisocyanurate in curb and cover with R-6 thermal resistance
- Spring:** Counterbalanced compression springs contained in clear zinc-plated steel cylinders.
- Latch:** Clear zinc-plated steel slam latch with inside and outside handles and padlock hasps. Tested to 50psf wind uplift.
- Hold-Open Arm:** Clear zinc-plated automatic locking hold-open arm with red vinyl grip for one-handed door operation
- Hinge:** Heavy duty clear zinc-plated steel pintle hinge
- Sizes:** Min. size 24" x 24", Max. size 48" x 72" or 36" x 96" (Note: See Dur-Red model RHU for larger sizes)

ADDITIONAL OPTIONS:

Stainless steel hardware; Double wall curb; 2" R-12 & 1.5" R-9 polyiso curb insulation; Curb height 13-22"; Colors: white, gray, red, bronze textured powder coat; Fluoropolymer finish

Size W x L (L = Hinge Side)	STEEL	ALUMINUM	APPLICATION
36" x 30"	RHDG-1WT	RHDA-1	Ladder
30" x 54"	RHDG-2WT	RHDA-2	Stair
30" x 96"	RHDG-3WT	RHDA-3	Stair
36" x 36"	RHDG-4WT	RHDA-4	Ladder
48" x 48"	RHDG-5WT	RHDA-5	Ladder
32" x 72"	RHDG-6WT	RHDA-6	Stair
37" x 30"	RHDG-7WT	RHDA-7	Ladder



RHG-1-STH Shown with Optional Gate SHG-2436



RHGD-1

RHG-STH SERIES: ROOF HATCH WITH RAILING

The RHG-STH Series is a standard roof hatch with an integrated safety railing, providing a complete solution in a single unit.

HATCH PRODUCT DETAILS:

- Curb Material:** 14 gauge galvanized steel
- Cover Material:** 14 gauge galvanized steel, 22 gauge galvanized steel liner
- Standard Finish:** Gray hammertone powder coat paint
- Construction:** 12" single wall curb with 3-5/8" wide flange with holes for securing to roof deck.
- Gasketing:** EPDM gasket seal
- Insulation:** 1" Fiberboard on curb & 1" mineral wool in cover
- Hardware:** Heavy-duty hinge, pin and fastening hardware are zinc-plated steel.
- Hold-Open Arm:** Heavy gauge automatic arm with red vinyl grip
- Spring:** Counterbalanced spring(s) in cylinders for lift assist
- Latch:** Clear zinc-plated steel slam latch with inside and outside handles and padlock hasps
- Sizes:** Minimum size 24" x 24", Maximum size 48" x 96"

RAILING PRODUCT DETAILS:

- Material:** 1.66" O.D. galvanized steel tubing
- Finish:** Safety yellow powder coat paint
- Hardware:** Zinc-plated steel nuts, bolts and washers and 3/16" ASTM proof coil chain with hoops for securing

ADDITIONAL OPTIONS:

Stainless steel hardware; 1.5" R-9 polyiso curb insulation; Colors: white, gray, red, bronze textured powder coat

RHGD SERIES: GALVANIZED STEEL DOMED ROOF HATCH

Allow more light into your facility with our insulated, acrylic, domed roof hatch.

PRODUCT DETAILS:

- Curb Material:** 14 gauge galvanized steel
- Cover Material:** 14 gauge galvanized steel, 22 gauge galvanized steel liner
- Dome Material:** White translucent acrylic with extruded aluminum frame
- Standard Finish:** Gray hammertone powder coat
- Construction:** 12" high curb and 3-5/8" wide flange for securing to roof deck. The dome retainer is fitted over a welded steel flange. Hinged on the "width" side.
- Insulation:** 1" rigid fiberboard insulation on curb, 1" mineral wool in solid cover areas
- Gasketing:** EPDM perimeter seal
- Hardware:** Heavy-duty hinge, pin and fastening hardware are zinc-plated steel.
- Hold-Open Arm:** Heavy gauge automatic arm with red vinyl grip
- Spring:** Compression operated, shock absorbing cylinder
- Latch:** Clear zinc-plated steel slam latch with inside and outside handles and padlock hasps
- Sizes:** Minimum size 30" x 30", maximum size 48" x 96"

ADDITIONAL OPTIONS:

Stainless steel hardware; 1.5" R-9 polyiso curb insulation; Colors: white, gray, red, bronze textured powder coat

Size L x W (W = Hinge Side)	STEEL HATCH WITH RAILING	DOMED STEEL HATCH	APPLICATION
36" x 30"	RHG-1-STH	RHGD-1	Ladder
30" x 54"	RHG-2-STH	RHGD-2	Stair
30" x 96"	RHG-3-STH	RHGD-3	Stair
36" x 36"	RHG-4-STH	RHGD-4	Ladder
48" x 48"	RHG-5-STH	RHGD-5	Ladder



KEYCURB™ SUPPORTS: CONFIGURABLE ROOFTOP PIPE SUPPORTS

The KeyCurb series is ideal for properly supporting piping, conduits and other rooftop components without penetrating the roof deck.

FEATURES:

- 100% Recycled UV-resistant rubber base
- Distributes weight to comply with roof deck compression load limits
- Easy to install - use of the Keycurb bases eliminate support pads
- Several adjustable height models provide flexibility to support HVAC ductwork at customized heights



KEYCURB BASE RKC

KeyCurb base only. Attach pipes using accessory straps by others.

Base Material: Molded recycled rubber
Base Dimensions: 6" W x 10" L x 4-7/8" H
Base Weight: 5 lbs



STRUT RKCSN

Overall Height: 6-1/2"
Channel: 7/8" x 1-5/8"

MODELS

RKCSN1-8: 8" Channel Length
RKCSN1-12: 12" Channel Length
RKCSN1-16: 16" Channel Length



BRIDGE RKCBN

Overall Height: 6-1/2"
Channel: 7/8" x 1-5/8"

MODELS

RKCBN2-24: 24" Channel Length
RKCBN2-36: 36" Channel Length
RKCBN2-48: 48" Channel Length



ROLLER RKCRN

Height: 9-2/3"
Roller: 3-1/2" wide molded plastic

MODELS

RKCRN1-4: Supports pipe diameters up to 4"



MULTIPURPOSE SINGLE RKCMA1

Heights: 18", 24", 36" 48", 60"
Channels: 1-5/8" x 1-5/8"

MODELS

RKCMA1-3618: 36" Vertical, 18" Crossbar
RKCMA1-3624: 36" Vertical, 24" Crossbar
RKCMA1-3636: 36" Vertical, 36" Crossbar
RKCMA1-3648: 36" Vertical, 48" Crossbar



STRUT EXTENSION RKCSE

Height: Adjustable up to 13"
Channel: 7/8" x 1-5/8"

MODELS

RKCSE1-8: 8" Channel Length
RKCSE1-12: 12" Channel Length
RKCSE1-16: 16" Channel Length

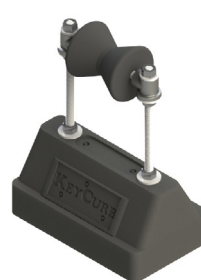


BRIDGE EXTENSION RKCBE

Height: Adjustable up to 13"
Channel: 7/8" x 1-5/8"

MODELS

RKCBE2-24: 24" Channel Length
RKCBE2-36: 36" Channel Length
RKCBE2-48: 48" Channel Length



ROLLER EXTENSION RKCRE

Height: Adjustable up to 13"
Roller: 3-1/2" wide molded plastic

MODELS

RKCRE1-4: Supports pipe diameters up to 4"



MULTIPURPOSE DUAL RKCMA2

Heights: 18", 24", 36" 48", 60"
Channels: 1-5/8" x 1-5/8"

MODELS

RKCMA2-3618: 36" Vertical, 18" Crossbar
RKCMA2-3624: 36" Vertical, 24" Crossbar
RKCMA2-3636: 36" Vertical, 36" Crossbar
RKCMA2-3648: 36" Vertical, 48" Crossbar



SHWC - SAF-T HATCH™: COMPRESSION FIT SAFETY RAILING

The Saf-T-Hatch Railing can be installed on any manufacturer's roof hatch to prevent falls through the opening. This patented railing system features a compression frame that is assembled around the curb base of new or existing roof hatches.

FEATURES:

- Designed to protect your roof warranty - does not penetrate the curb or the roof deck.
- Retrofits on installed hatches in the field to add fall protection.
- Complies with OSHA 29CFR 1910.29 Fall Protection Systems, when ordered with self-closing gate.

PRODUCT DETAILS:

Material: 1.66" O.D. galvanized steel tubing, 2" x 2" 16 gauge galvanized tubing base. Base pad is 3/4" styrofoam.

Finish: Safety yellow powder coat paint

Hardware: Zinc-plated steel nuts, bolts, washers and 3/16" ASTM proof coil chain with hoops for securing to post

ADDITIONAL OPTIONS:

Other sizes, self-closing rigid gate. See below for gate details.



SHWC-3036 Shown with Optional Gate SHG-2436

MODEL	SIZE W x L (W = Exit Dimension)	FITS ROOF HATCH RHD (W x L)
SHWC-3036	30" x 36"	36" x 30" & 37" x 30"
SHWC-3054	30" x 54"	30" x 54"
SHWC-3096	30" x 96"	30" x 96"
SHWC-3636	36" x 36"	36" x 36"
SHWC-4848	48" x 48"	48" x 48"
SHWC-3272	32" x 72"	32" x 72"

SHG-2436: SELF-CLOSING RIGID GATE FOR RAILING

When installed on safety railing, self-closing gate complies with OSHA 29CFR 1910.29 Fall Protection Systems.

FEATURES:

- Designed to fit railings with 1.66" O.D. vertical tube posts.
- Easily adjustable to fit openings from 24" to 36" in width.
- Gate automatically self closes for added safety.

PRODUCT DETAILS:

Material: 1.625" diameter galvanized steel tubing

Finish: Safety yellow powder coat

Hardware: Zinc-plated steel threaded rod, nuts, washers and springs



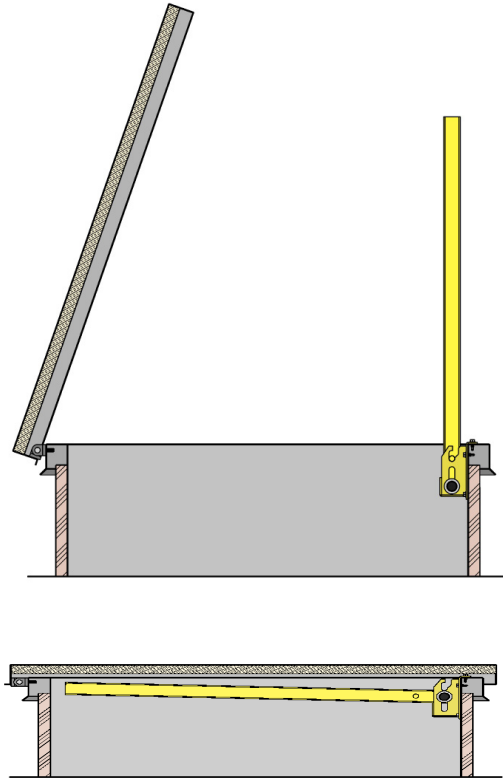
Distributed by
www.Ameraproducts.com
Phone: (800) 608-6548
Fax: (409) 840-5545
info@ameraproducts.com



LP-4



RSLP-G



LP-4 & RSLP-G: EXTENDABLE SAFETY POSTS

Extendable safety ladder posts provides a convenient and safe method for to climb on and off fixed access ladders through a roof hatch.

LP-4 PRODUCT DETAILS:

Post Material: Mild steel square tubing 1-1/2" x 1-1/2" x 1/8"

Locking & Clamping Bracket Material: Steel plate

Finish: Yellow powder coat

Spring Type: Stainless steel constant force power spring

RSLP-G PRODUCT DETAILS:

Post Material: Heavy wall square tubing: 1-1/2" x 1-1/2" steel

Finish: Hot dip galvanized

Spring Type: Constant force balancing stainless steel spring

Notes: We recommend a Saf-T-Hatch rail system in addition to Ladder safety posts for greater safety

LP-6: EZ-UP FOLDING SAFETY POST

The assembly permanently mounts to the roof hatch and acts as an extension to the ladder to enable users to safely enter and exit a roof access hatch.

PRODUCT DETAILS:

Material: 1-1/2" x 1-1/2" square steel post attached by swivel bolt to welded 10 gauge steel plate mount

Finish: Safety yellow powder coat paint

Mounting: Mounts to roof hatch curb with 3/8" x 14 screws

Overall Dimensions: 34-5/8" x 1-1/2"

Notes: We recommend a Saf-T-Hatch rail system in addition to Ladder Safety Posts for greater safety



ACTIVAR CONSTRUCTION PRODUCTS GROUP INC.



MANUFACTURING:

Bloomington, MN | Commerce, CA | Burnaby, BC, Canada

WAREHOUSES:

Dallas, TX | Chicago, IL | Seattle, WA | Atlanta, GA | Fargo, ND
Lancaster, PA | Omaha, NE | Ft Myers, FL | Salt Lake City, UT