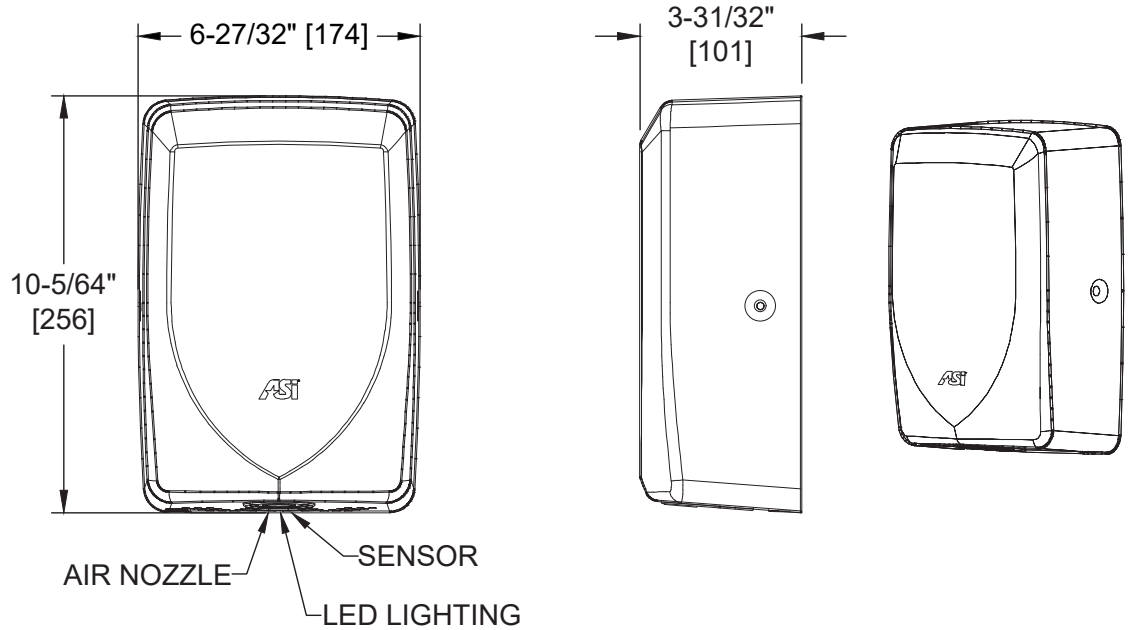


**TURBO-Swift™ High-Speed ADA Hand – Matte Black**

Hand Dryers

MasterFormat Section 10 28 13



Scan for Information



**SUSTAINABILITY/LEED**

MR 4.1 (1) EQ 4.1 (1) EAp2 (0) EA  
 MR 4.2 (1) EQ 4.2 (1) 1 (1-19)  
 MR 6 (1) EQ 4.4 (1)

**NOTE:**  
 ALL DIM'S INCH [MM]  
 ILLUSTRATION FOR REF ONLY AND NTS  
 FOR CLEANING INSTRUCTIONS SEE APPROPRIATE SECTIONS IN  
 PRODUCT CARE & MAINTENANCE BULLETIN (PCM) ON ASI WEBSITE

**PRODUCT OVERVIEW**

Introducing the new mighty, ADA-compliant high-speed hand dryer. This surface mounted, stable, and durable one-piece type 304 stainless steel hand dryer provides eco-friendly and cost-saving performance. The unit operates automatically using an adjustable infrared sensor, and the round outlet makes the airflow more concentrated for fast drying in 10 to 12 seconds. Easy to install, and LED indicates power status and guides user towards air flow.

**KEY FEATURES & SPECIFICATIONS**

- Powerful High Speed / <12 Sec. Dry Time
- 74 dB-A (Min) / 78 dB-A (Max)
- 20 gauge type 304 Stainless Steel - Matte Black Powder Coated Steel
- Surface Mounted - "Touch Free" Operation
- Automatic - AC - 110 - 120 V - "No-Touch" High Speed Dryer
- Owner Adjustable Air Speed AND Heat (with On-Off switch)
- Approved Under the re-examination services of Underwriters Laboratories, Inc.



Distributed by  
**www.Ameraproducts.com**  
 Phone: (800) 608-6568  
 Fax: (409) 840-5545  
 info@ameraproducts.com

**OPERATION & MAINTENANCE**

Automatic "No-Touch"  
 Activate dryer by placing hands under sensor. The activation will turn on a blue LED light to guide user to the air flow. Dryer automatically shuts off after user removes hands from sensor zone. Complete OM & IG and MT are supplied with unit for future reference of Installation Requirements, Operating Conditions and Service.

**TECHNICAL INFORMATION / PRODUCT PROPERTIES**

Property	Value							
Dimensions	6-27/32" x 10-1/16" x 4" [174 x 256 x 102]							
Construction	Type 304 Stainless Steel - Matte Black Powder Coated Steel							
Mounting	Surface Mounted - "Touch Free" Operation							
Electrical	110-120V AC							
Motor	HP	RPM (x1000)	Airflow	Heating Element	Air Output Temperature	Timing	Drying Time	N/A
Brush Type Dual Ball Bearings	0.8	30	82.4 CFM (140 m3/h)	Nichrome wire with auto reset circuit breaker	104 °F ± 5@ 77 °F (40 °C ± 2.4 @ 25 °C) Ambient room temperature	Automatic 60 second Shut-Off	Less Than 12 Seconds	N/A

**INSTALLATION**

Surface mount unit on wall with four (4) #10 x 1-3/16" [M5x36] self-threading Phillips pan-head screws and washers (supplied) through dryer chassis holes (provided) into suitable prepared mountings (by others) or other suitable mounting hardware (by others) to suit wall conditions. Electrical service is supplied and connected (by others) prior to installing cover. Cover is secured to back plate with recessed hex-socket flat-head screws (supplied) on sides. For compliance with 2010 ADA Accessibility Standards, 2015 ABA Standards and ICC/ ANSI A-117.1-2003 for adults install unit with bottom of sensor lens 48" [1219] maximum Above Finished Floor (AFF) if unobstructed reach access is provided or 44" [1118] max AFF if forward reach over an obstruction (e.g. vanity or commode) with reach depth greater than 20" [508] and less than 25" [635] is only provided. For general utility install unit so that sensor lens is 44" [1118] to 54" [1372] AFF. Mounting Template (MT) is supplied with unit with OM & IG and mounting heights for other age groups are shown on MT.

**OPTIONS**

Voltage  
 0192-1-41: 110-120 VAC - 60 Hz - 8.3-9.1 A - 1000W  
 0192-1-93: 110-120 VAC - 60 Hz - 8.3-9.1 A - 1000W



Distributed by  
[www.Ameraproducts.com](http://www.Ameraproducts.com)  
 Phone: (800) 608-6568  
 Fax: (409) 840-5545  
[info@ameraproducts.com](mailto:info@ameraproducts.com)

**WARRANTY**

One (1) Year from date of Invoice