

SECTION B-B

SECTION A-A

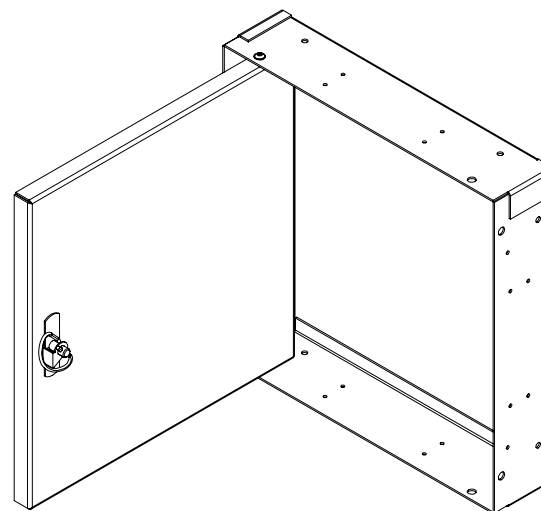
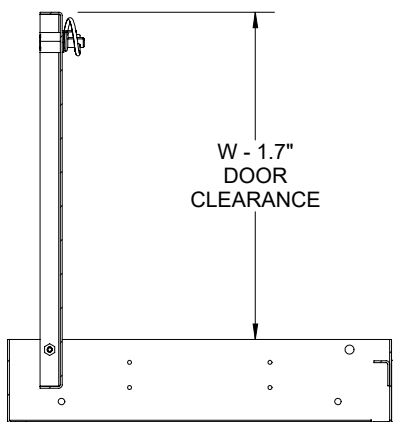
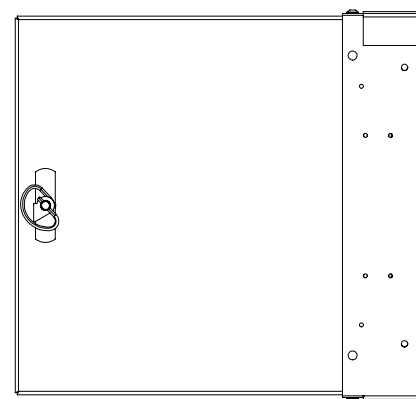
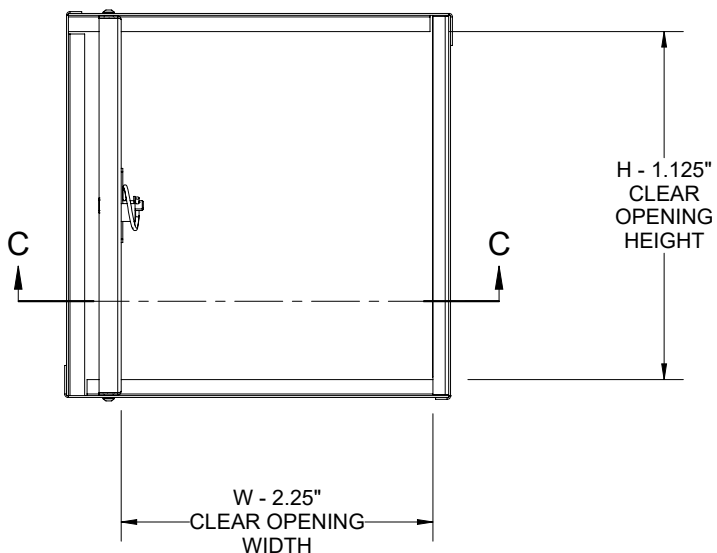
**ROUGH OPENING:** W + 0.25" x H + 0.25"  
**CLEAR OPENING:** W - 2.25" x H - 1.125"  
**DEGREE OF OPENING:** 100°  
**CAM QTY:** NA Latch Side  
 NA Top/Bottom Side



NOTES:

- ① **FRAME:** Cold Rolled Steel 16 ga, Drywall Bead
- ② **DOOR:** Cold Rolled Steel, 16 ga
- ③ **FINISH:** White Powder Coat
- ④ **HINGE:** Concealed Pin Hinge
- ⑤ **LATCH:** Screwdriver Cam

PROJECT:			
ARCHITECT:			
CONTRACTOR:			
QTY:			
PART#:		BRAC_	
<p>9300 73rd Avenue North                  Minneapolis, MN 55428</p>		TITLE: Access Door, Non-rated, W x H CRS, Recess Dr, No Flg	
NAME	DATE	SIZE	DWG. NO.
DRAWN		A	BRA ShpDr
RELEASED		WEIGHT: VARIES	



Distributed by  
[www.Ameraproducts.com](http://www.Ameraproducts.com)  
 Phone: (800) 608-6548  
 Fax: (409) 840-3341  
[info@ameraproducts.com](mailto:info@ameraproducts.com)



<b>babcockdavis</b>			TITLE: Access Door, Non-rated, W x H CRS, Recess Dr, No Flg		
9300 73rd Avenue North Minneapolis, MN 55428			SIZE	DWG. NO.	REV
NAME	DATE	SIZE	DWG. NO.	BRA ShpDr	-
DRAWN		A			
RELEASED		WEIGHT: Varies			SHEET 2 OF 2