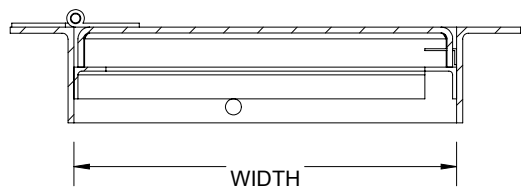
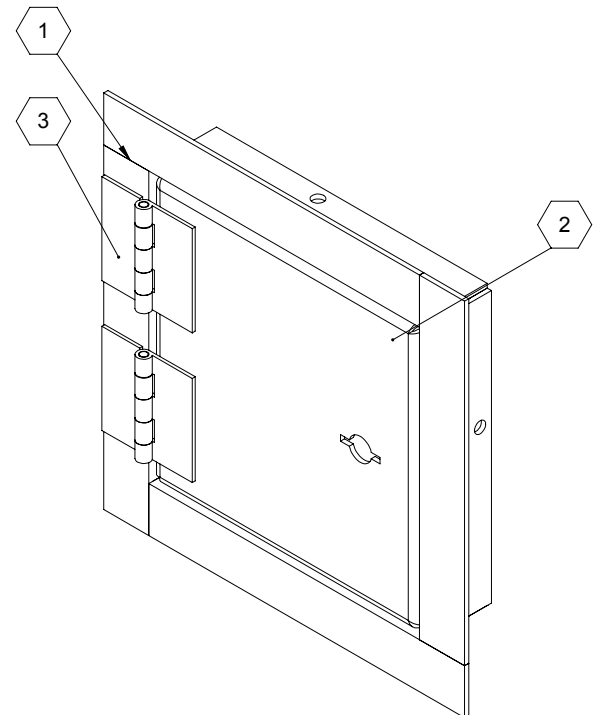


SECTION A-A



SECTION B-B

ROUGH OPENING:
 CLEAR OPENING:
 DEGREE OF OPENING:

X
 X

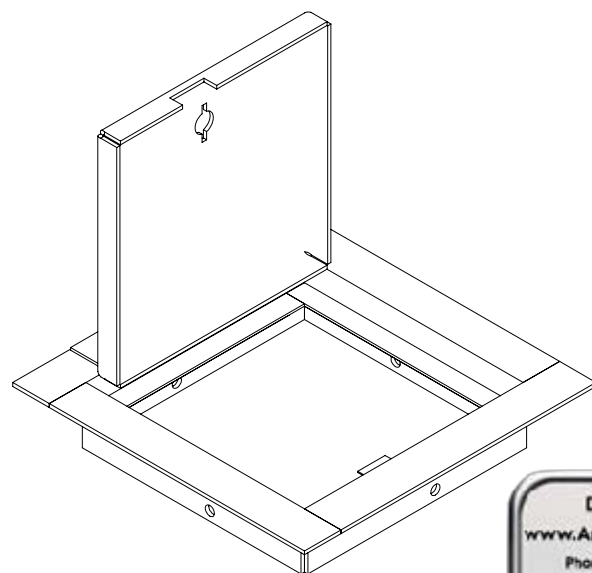
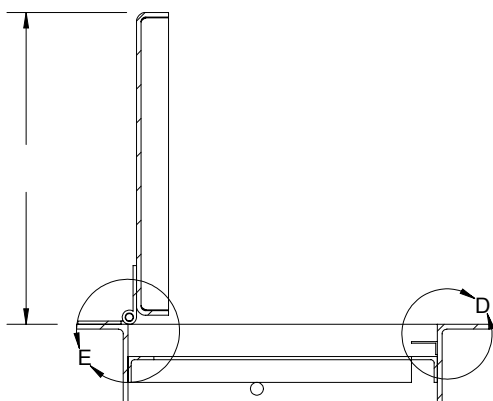
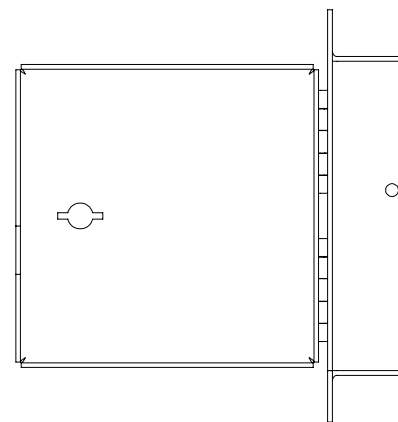
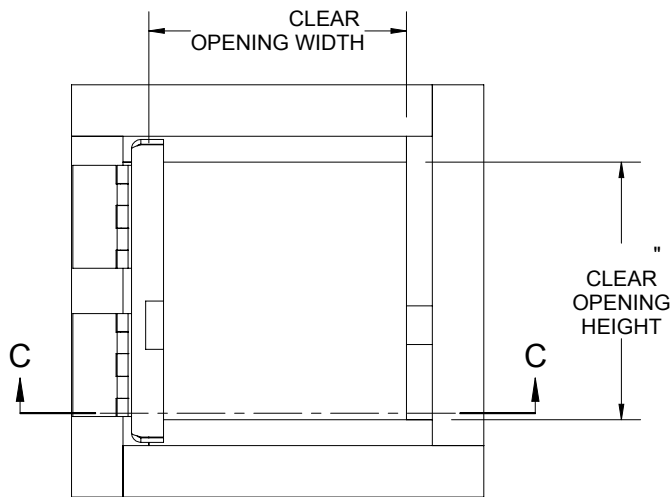


NOTES:

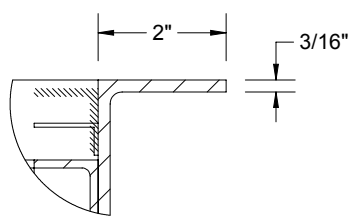
- ① **FRAME:** STEEL 2" X 3" X 3/16" ANGLE, 2" X 3" STEEL FRAME
- ② **DOOR:** CRS 7 GA
- ③ **HINGE:** HEAVY DUTY BUTT HINGES
- ④ **LOCK:** DETENTION PREP



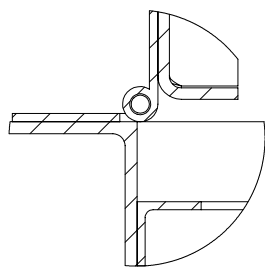
PROJECT:			
ARCHITECT:			
CONTRACTOR:			
QTY:			
PART#:			
TITLE:			
9300 73rd Avenue North Brooklyn Park, MN 55428			
NAME	DATE	SIZE	DWG. NO.
DRAWN		A	BTSD ShpDr
RELEASED		WEIGHT: VARIES	SHEET 1 OF 2



SECTION C-C



DETAIL D
SCALE 1 : 3



DETAIL E
SCALE 1 : 3



Distributed by
www.Ameraproducts.com
 Phone: (800) 608-6568
 Fax: (409) 840-3542
info@ameraproducts.com

babcockdavis[®]

9300 73rd Avenue North
 Brooklyn Park, MN 55428

TITLE:

NAME	DATE	SIZE	DWG. NO.	REV
DRAWN		A	BTSD ShpDr	A
RELEASED		WEIGHT: VARIES		SHEET 2 OF 2

PROPRIETARY AND CONFIDENTIAL: THE INFORMATION CONTAINED IN THIS DRAWING IS THE SOLE PROPERTY OF BABCOCK-DAVIS. ANY REPRODUCTION IN PART OR AS A WHOLE WITHOUT THE WRITTEN PERMISSION OF BABCOCK-DAVIS IS PROHIBITED. ©2020 BABCOCK-DAVIS, INC.