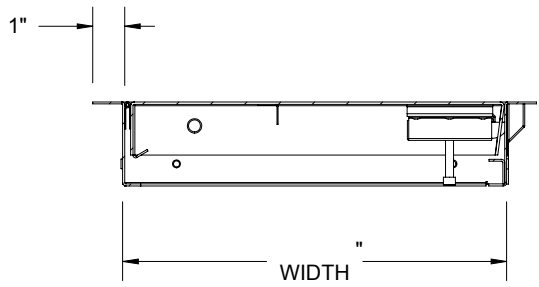


SECTION A-A



SECTION B-B

ROUGH OPENING: " X " "
CLEAR OPENING: " X " "
DEGREE OF OPENING: ° X " "

Distributed by
www.Ameraproducts.com
 Phone: (800) 408-6568
 Fax: (409) 840-9941
info@ameraproducts.com



NOTES:

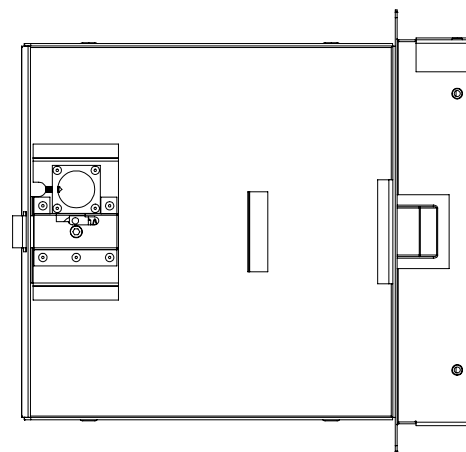
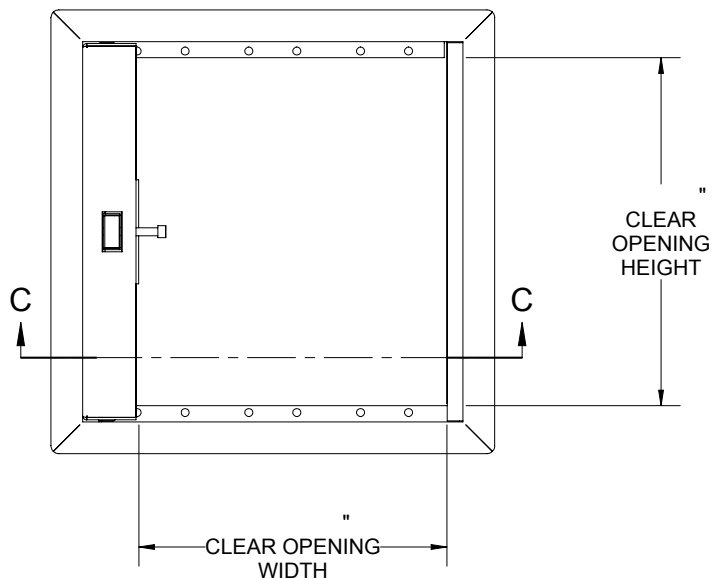
- ① **FRAME:**
- ② **DOOR:**
- ③ **FINISH:**
- ④ **HINGE:**
- ⑤ **SECONDARY LATCH:**
- ⑥ **LOCK:** Knurled Knob/Keyed Slam Latch

PROJECT:				
ARCHITECT:				
CONTRACTOR:				
QTY:				
PART#:				
TITLE:				
babcockdavis [®]				
9300 73rd Avenue North Brooklyn Park, MN 55428				
NAME	DATE	SIZE	DWG. NO.	REV
DRAWN		A		-
RELEASED		WEIGHT: VARIES	SHEET 1 OF 2	

PROPRIETARY AND CONFIDENTIAL: THE INFORMATION CONTAINED IN THIS DRAWING IS THE SOLE PROPERTY OF BABCOCK-DAVIS. ANY REPRODUCTION IN PART OR AS A WHOLE WITHOUT THE WRITTEN PERMISSION OF BABCOCK-DAVIS IS PROHIBITED.

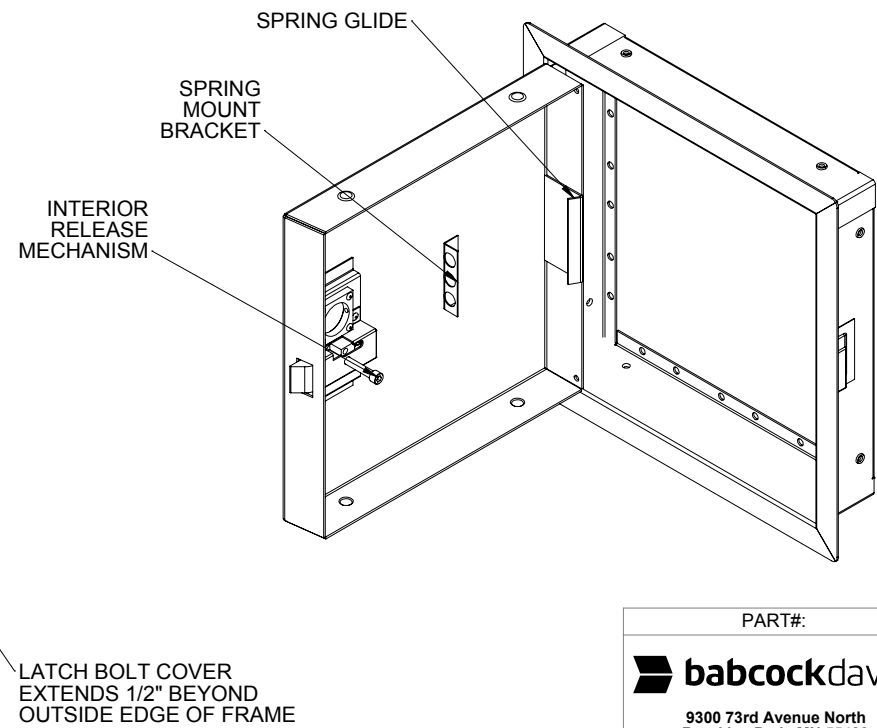
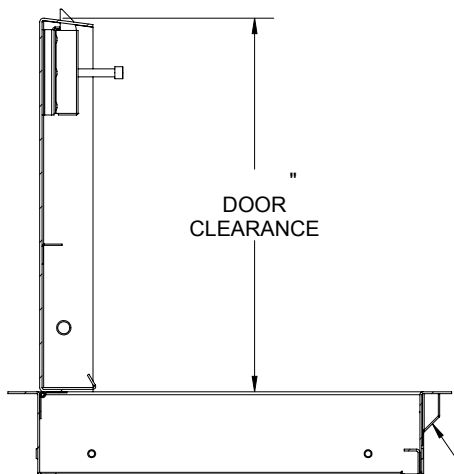
B

B



A

A



Distributed by
www.AmeraProducts.com
 Phone: (800) 608-6568
 FAX: (409) 840-3542
info@ameraproducts.com



PART#:		TITLE:			
babcockdavis [®]					
9300 73rd Avenue North Brooklyn Park, MN 55428					
NAME	DATE	SIZE	DWG. NO.	REV	
DRAWN		A		-	
RELEASED			WEIGHT: VARIES	SHEET 2 OF 2	

PROPRIETARY AND CONFIDENTIAL: THE INFORMATION CONTAINED IN THIS DRAWING IS THE SOLE PROPERTY OF BABCOCK-DAVIS. ANY REPRODUCTION IN PART OR AS A WHOLE WITHOUT THE WRITTEN PERMISSION OF BABCOCK-DAVIS IS PROHIBITED.