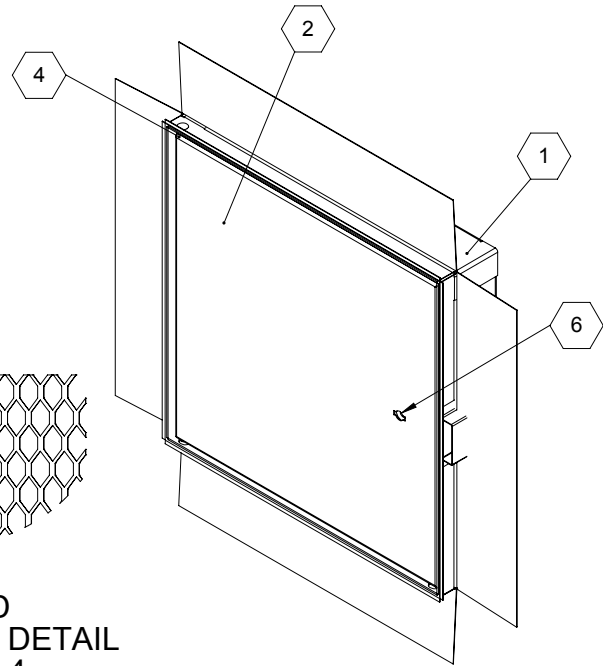
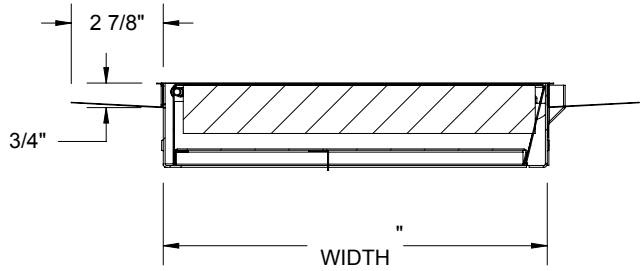


DETAIL D  
PLASTER BEAD DETAIL  
SCALE 1 : 4



SECTION A-A



SECTION B-B

ROUGH OPENING: " X " "  
 CLEAR OPENING: " X " "  
 DEGREE OF OPENING: ° X ° "

Distributed by  
[www.Ameraproducts.com](http://www.Ameraproducts.com)  
 Phone: (800) 608-6568  
 Fax: (409) 840-5540  
[info@ameraproducts.com](mailto:info@ameraproducts.com)



**HORIZONTAL**  
 1 HR WOOD-FRAME CONSTRUCTION  
 3 HR NON-COMBUSTIBLE CONSTRUCTION  
 ON SIZES UP TO AND INCLUDING 24" W X 36" H.

**VERTICAL**  
 1-1/2 HOUR "B" LABEL  
 ON SIZES UP TO AND INCLUDING 24" W X 36" H.



NOTES:

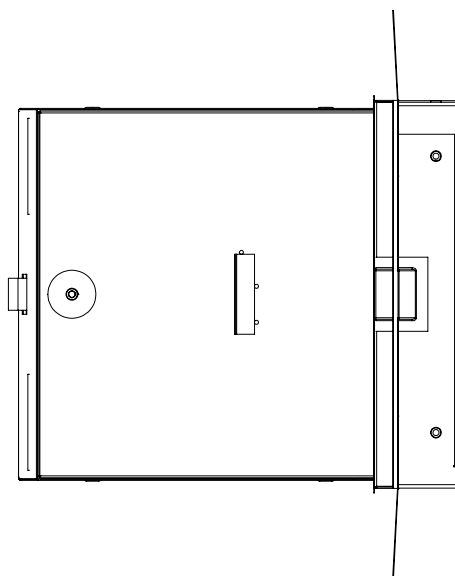
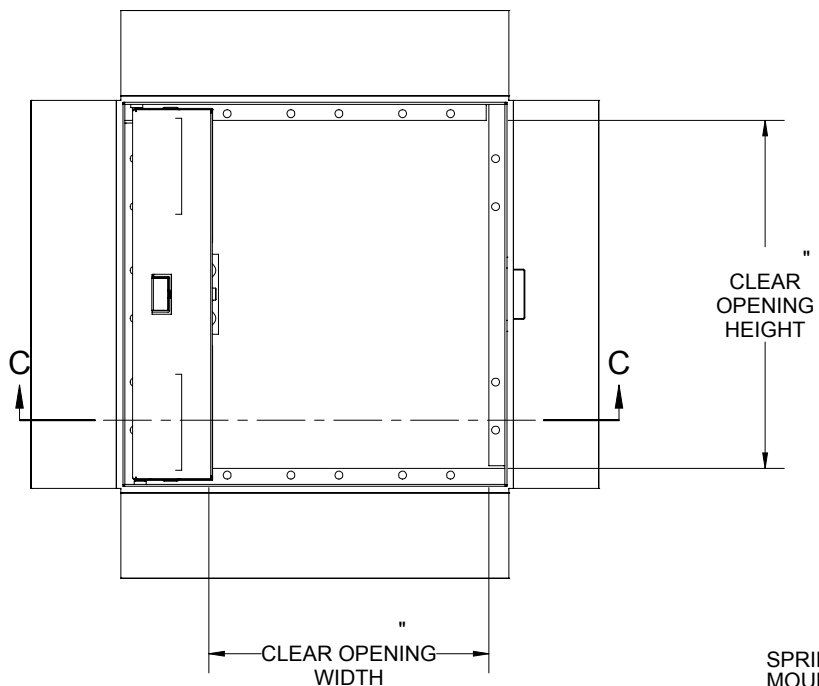
- ① **FRAME:**
- ② **DOOR:**
- ③ **FINISH:**
- ④ **HINGE:**
- ⑤ **SECONDARY LATCH:**
- ⑥ **LOCK:** Knurled Knob/Keyed Slam Latch
- ⑦ **INSULATION:** 2" Thick Fire Rated Mineral Wool, 8 R-Value

PROPRIETARY AND CONFIDENTIAL: THE INFORMATION CONTAINED IN THIS DRAWING IS THE SOLE PROPERTY OF BABCOCK-DAVIS. ANY REPRODUCTION IN PART OR AS A WHOLE WITHOUT THE WRITTEN PERMISSION OF BABCOCK-DAVIS IS PROHIBITED.

PROJECT:			
ARCHITECT:			
CONTRACTOR:			
QTY:			
PART#:			
		TITLE:	
		9300 73rd Avenue North Brooklyn Park, MN 55428	
NAME	DATE	SIZE	DWG. NO.
RELEASED		A	
WEIGHT: VARIES		SHEET 1 OF 2	

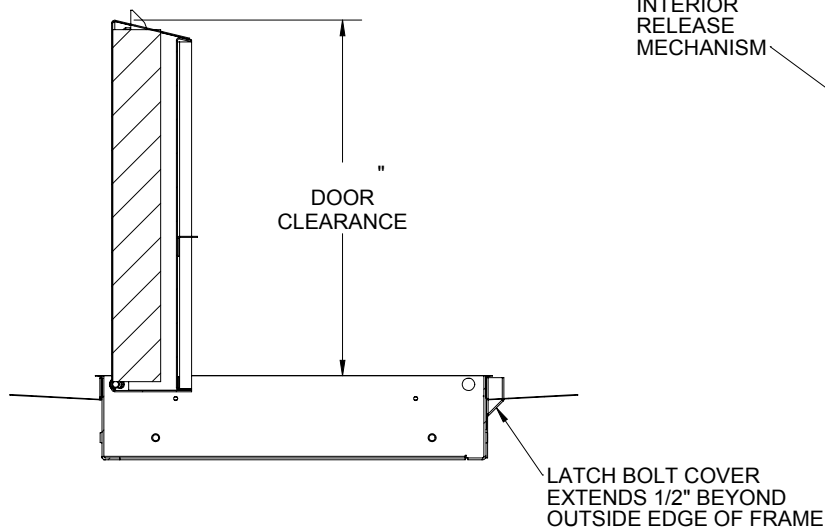
B

B



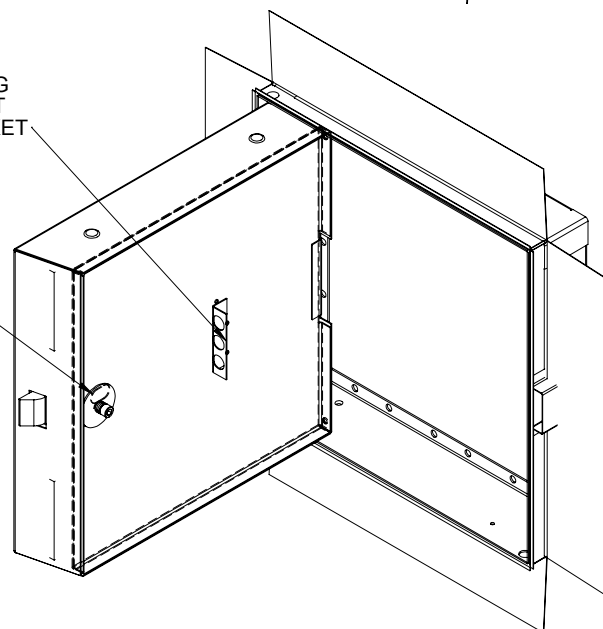
A

A



SPRING MOUNT BRACKET

INTERIOR RELEASE MECHANISM



Distributed by  
www.Ameraproducts.com  
Phone: (800) 608-6548  
Fax: (409) 840-3341  
info@ameraproducts.com



PART#:		TITLE:			
9300 73rd Avenue North Brooklyn Park, MN 55428					
NAME	DATE	SIZE	DWG. NO.	REV	
DRAWN		A		-	
RELEASED		WEIGHT: VARIES		SHEET 2 OF 2	

PROPRIETARY AND CONFIDENTIAL: THE INFORMATION CONTAINED IN THIS DRAWING IS THE SOLE PROPERTY OF BABCOCK-DAVIS. ANY REPRODUCTION IN PART OR AS A WHOLE WITHOUT THE WRITTEN PERMISSION OF BABCOCK-DAVIS IS PROHIBITED.