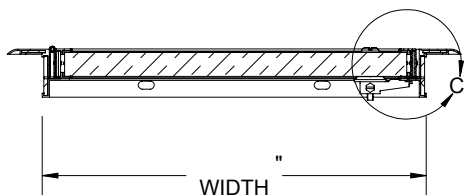
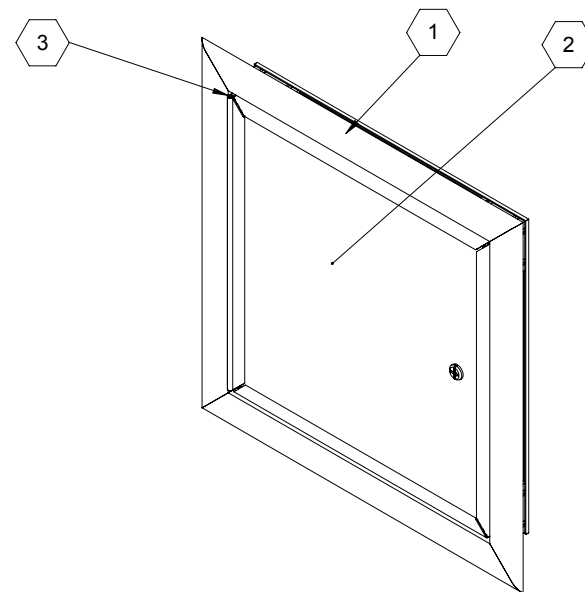
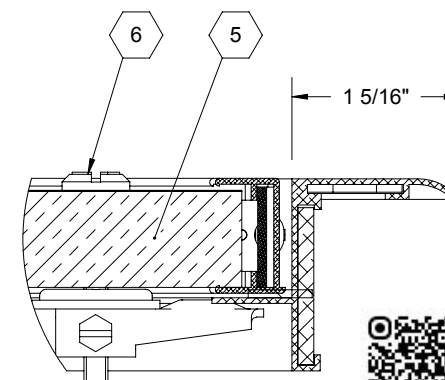


SECTION B-B



SECTION A-A

ROUGH OPENING: " X " X
 CLEAR OPENING: " X " X
 DEGREE IF OPENING: ° X " X



DETAIL C
SCALE 1 : 1.5

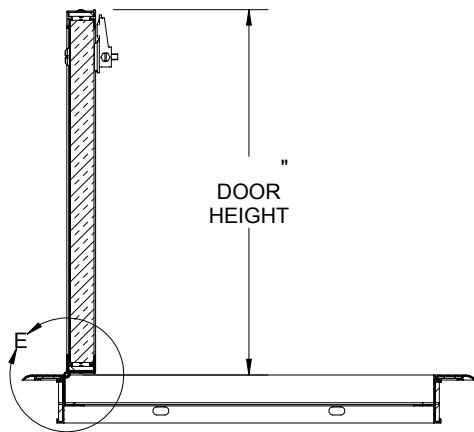
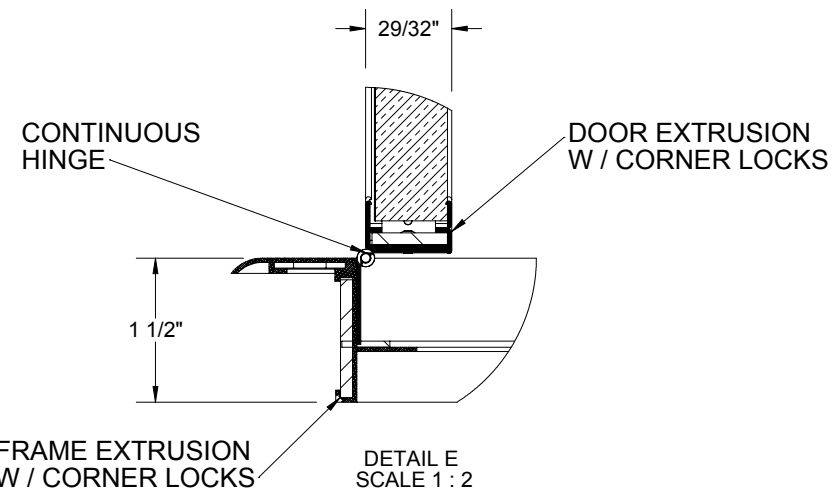
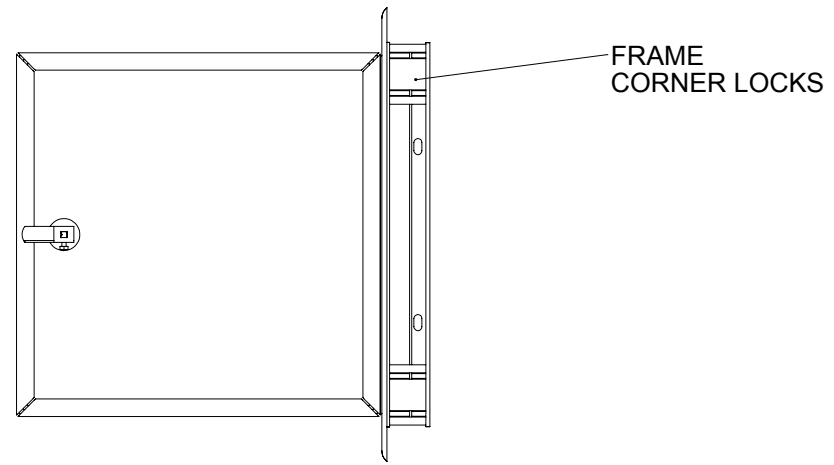
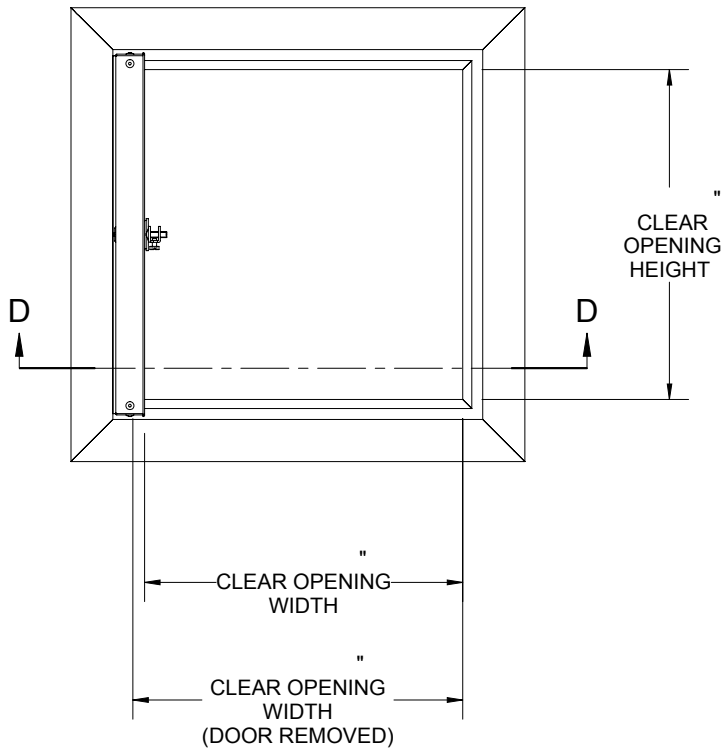


NOTES:

- ① **FRAME:** .080-6063-T5 Extruded Aluminum
- ② **DOOR:** FRAME: .045-6063-T5 Extruded Aluminum
PANEL: 24 Ga Galv Steel
- ③ **HINGE:**
- ④ **FINISH:** FRAME: Clear Anodized
PANEL: Pre-Finished White Embossed
- ⑤ **INSULATION:** 3/4" Extruded Polystyrene, 3.8 R Value
- ⑥ **LATCH:** Screwdriver Cam



PROJECT:				
ARCHITECT:				
CONTRACTOR:				
QTY:				
PART#:				
TITLE:				
babcockdavis [®]				
9300 73rd Avenue North Brooklyn Park, MN 55428				
NAME	DATE	SIZE	DWG. NO.	REV
DRAWN		A		-
RELEASED				



SECTION D-D

Distributed by
www.AmeraProducts.com
 Phone: (800) 608-6548
 Fax: (409) 840-3345
info@ameraproducts.com



babcockdavis			TITLE:	
9300 73rd Avenue North Brooklyn Park, MN 55428				
NAME	DATE	SIZE	DWG. NO.	REV
DRAWN		A		-
RELEASED				