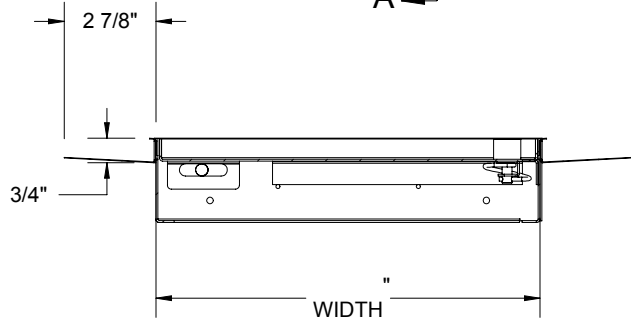
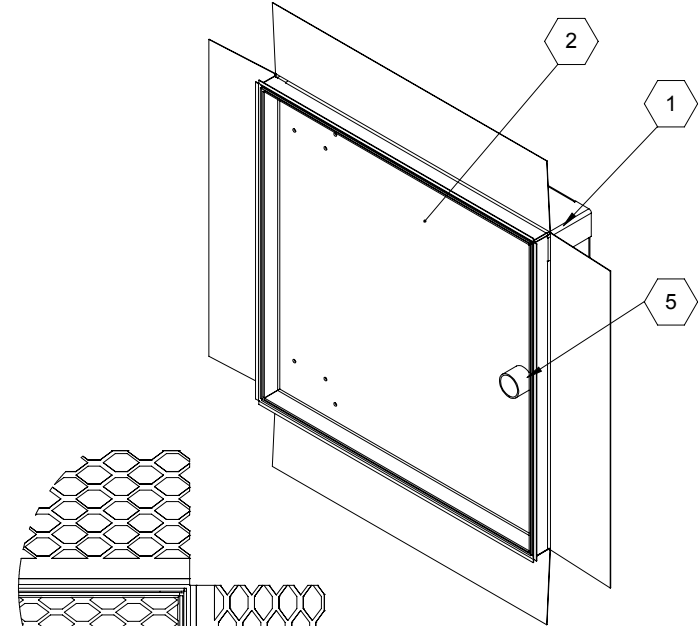


SECTION A-A



SECTION B-B



DETAIL D
PLASTER BEAD DETAIL
SCALE 1 : 4

PLASTER LATHE
IN PAN

ROUGH OPENING: " X " X
 CLEAR OPENING: " X " X
 DEGREE OF OPENING: 100°
 CAM QTY: Latch Side
 Top/Bottom Side

Distributed by
www.Ameraproducts.com
 Phone: (800) 608-6568
 FAX: (409) 840-9943
info@ameraproducts.com



NOTES:

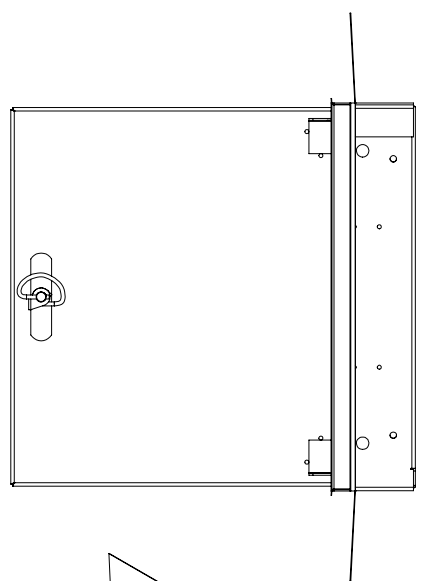
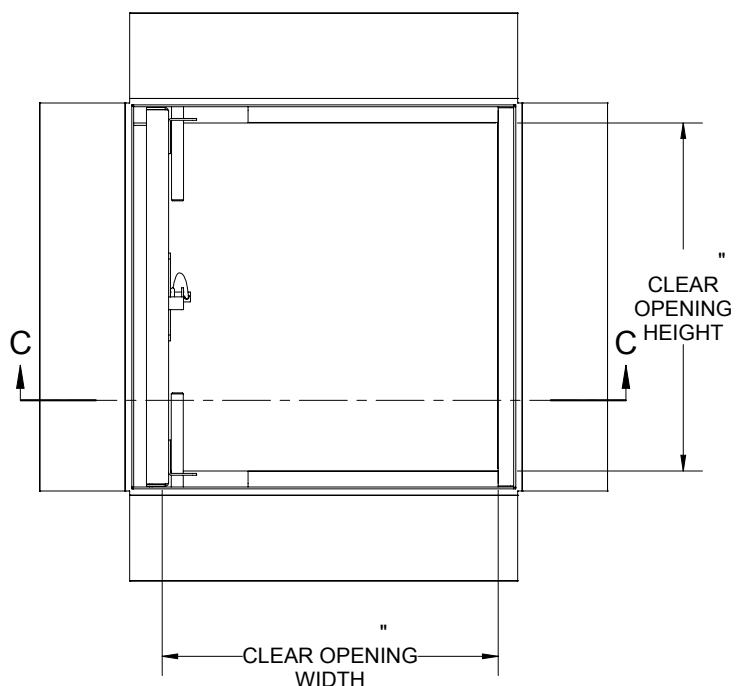
- ① FRAME:
- ② DOOR:
- ③ FINISH:
- ④ HINGE: Concealed Rod Hinge
- ⑤ LATCH:

PROPRIETARY AND CONFIDENTIAL: THE INFORMATION CONTAINED IN THIS DRAWING IS THE SOLE PROPERTY OF BABCOCK-DAVIS. ANY REPRODUCTION IN PART OR AS A WHOLE WITHOUT THE WRITTEN PERMISSION OF BABCOCK-DAVIS IS PROHIBITED.

PROJECT:			
ARCHITECT:			
CONTRACTOR:			
QTY:			
PART#:			
		TITLE:	
		9300 73rd Avenue North Brooklyn Park, MN 55428	
NAME	DATE	SIZE	DWG. NO.
DRAWN		A	
RELEASED			
			REV -
			SHEET 1 OF 2

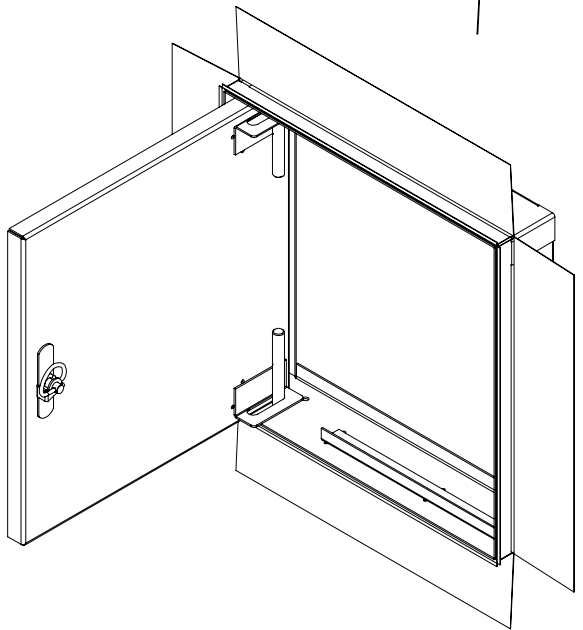
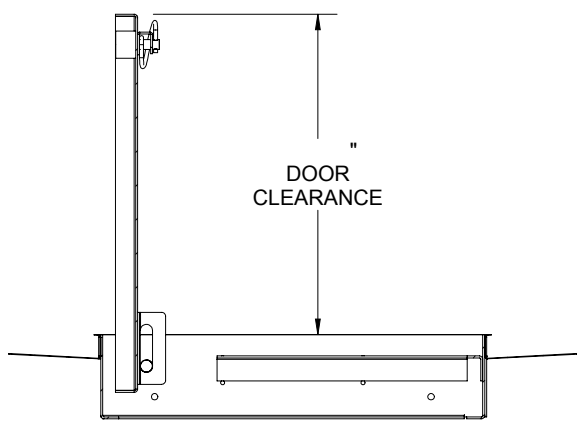
B

B



A

A



Distributed by
www.Ameraproducts.com
 Phone: (800) 608-6548
 Fax: (409) 840-3343
info@ameraproducts.com



PART#:			TITLE:		
9300 73rd Avenue North Brooklyn Park, MN 55428					
NAME	DATE	SIZE	DWG. NO.	REV	
DRAWN		A		-	
RELEASED				SHEET 2 OF 2	

PROPRIETARY AND CONFIDENTIAL: THE INFORMATION CONTAINED IN THIS DRAWING IS THE SOLE PROPERTY OF BABCOCK-DAVIS. ANY REPRODUCTION IN PART OR AS A WHOLE WITHOUT THE WRITTEN PERMISSION OF BABCOCK-DAVIS IS PROHIBITED.