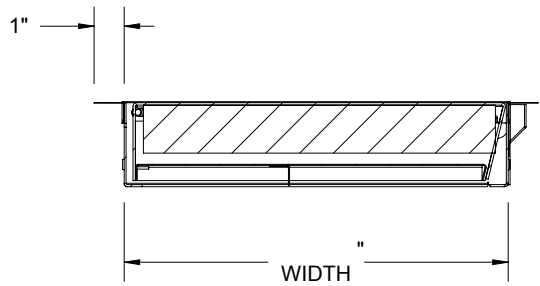


SECTION A-A

DETAIL D
DRYWALL BEAD DETAIL
SCALE 1 : 4



SECTION B-B

ROUGH OPENING: " X
 CLEAR OPENING: " X
 DEGREE OF OPENING: °

NOTES:

- ① **FRAME:**
- ② **DOOR:**
- ③ **FINISH:**
- ④ **HINGE:**
- ⑤ **SECONDARY LATCH:**
- ⑥ **LOCK:** Mortise Prep
- ⑦ **INSULATION:** 2" Thick Fire Rated Mineral Wool, 8 R-Value

Distributed by
www.Ameraproducts.com
 Phone: (800) 608-6568
 FAX: (407) 840-5542
info@ameraproducts.com



VERTICAL
 1-1/2 HOUR "B" LABEL

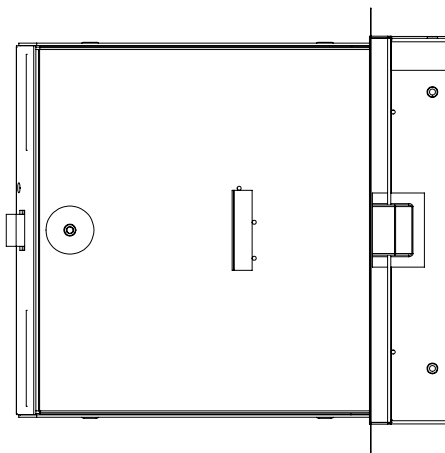
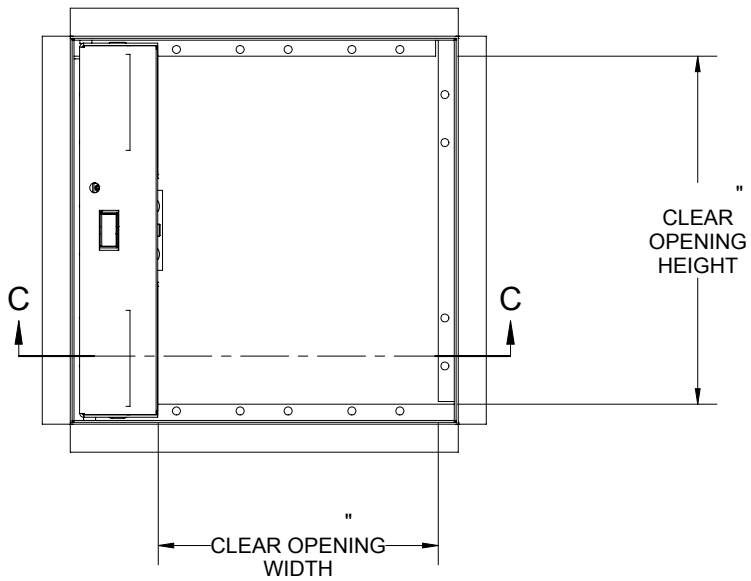


PROJECT:			
ARCHITECT:			
CONTRACTOR:			
QTY:			
PART#:			
		TITLE:	
		9300 73rd Avenue North Brooklyn Park, MN 55428	
NAME	DATE	SIZE	DWG. NO.
RELEASED		A	
			REV -
			SHEET 1 OF 2

PROPRIETARY AND CONFIDENTIAL: THE INFORMATION CONTAINED IN THIS DRAWING IS THE SOLE PROPERTY OF BABCOCK-DAVIS. ANY REPRODUCTION IN PART OR AS A WHOLE WITHOUT THE WRITTEN PERMISSION OF BABCOCK-DAVIS IS PROHIBITED.

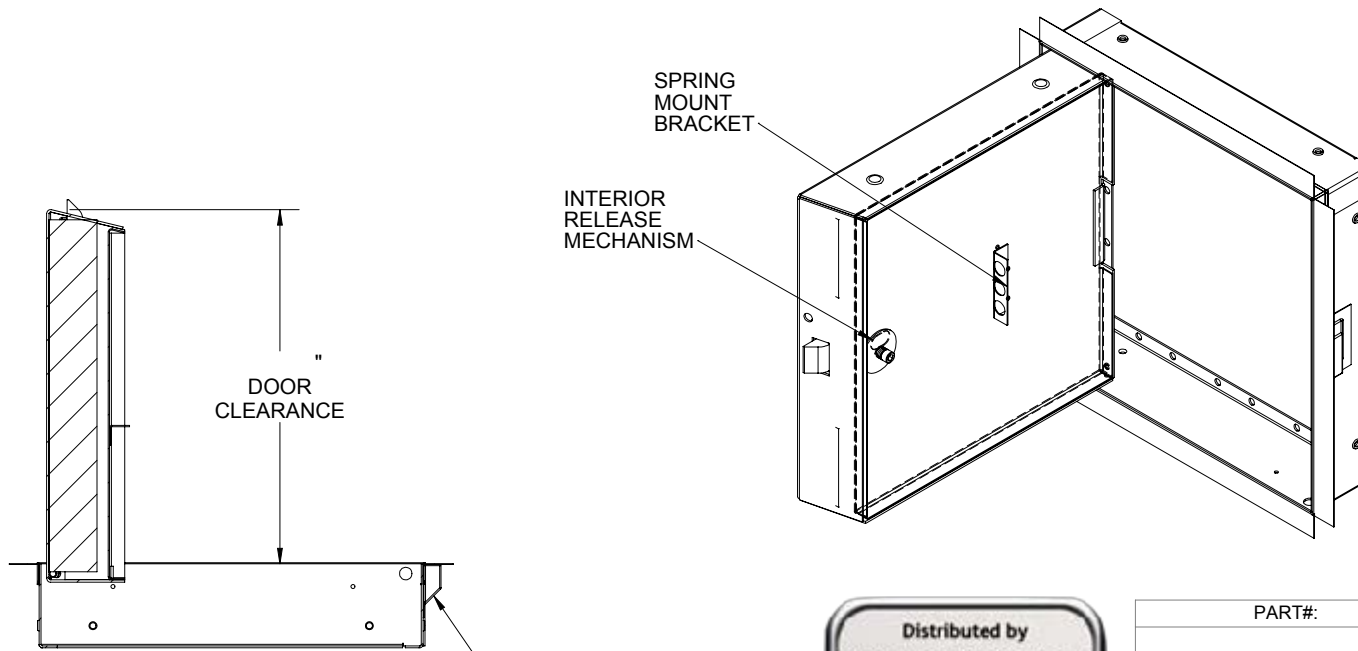
B

B



A

A



Distributed by
www.Ameraproducts.com
 Phone: (800) 608-6548
 Fax: (407) 840-5542
info@ameraproducts.com

PART#:			TITLE:		
 9300 73rd Avenue North Brooklyn Park, MN 55428			NAME	DATE	REV
			SIZE	DWG. NO.	-
DRAWN		A			
RELEASED					SHEET 2 OF 2