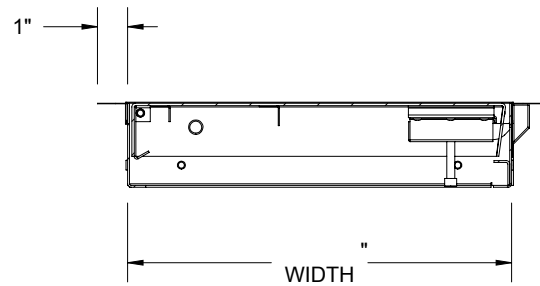


SECTION A-A

DETAIL D
DRYWALL BEAD DETAIL
SCALE 1 : 4



SECTION B-B

ROUGH OPENING: " X " "
 CLEAR OPENING: " X " "
 DEGREE OF OPENING: ° X " "

Distributed by
www.AmeraProducts.com
 Phone: (800) 608-6568
 Fax: (409) 840-5541
info@ameraproducts.com



VERTICAL
1-1/2 HOUR "B" LABEL



NOTES:

- ① **FRAME:**
- ② **DOOR:**
- ③ **FINISH:**
- ④ **HINGE:**
- ⑤ **SECONDARY LATCH:**
- ⑥ **LOCK: Knurled Knob/Keyed Slam Latch**

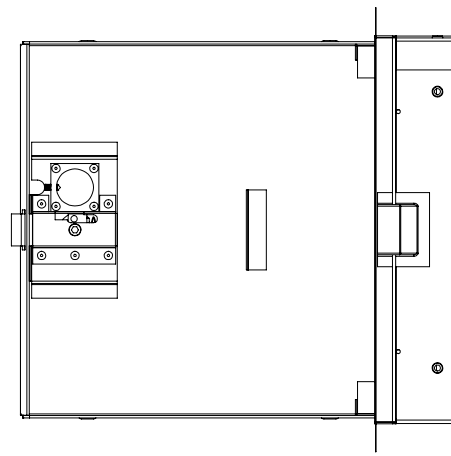
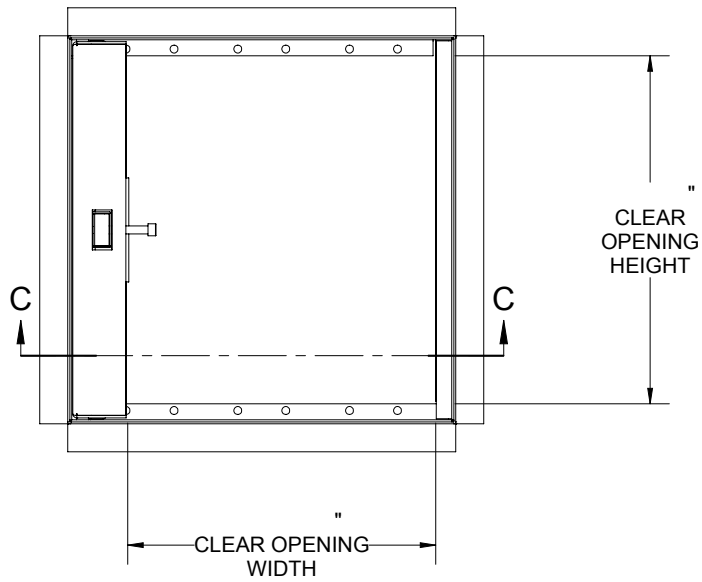
PROJECT:	
ARCHITECT:	
CONTRACTOR:	
QTY:	
PART#:	

babcockdavis[®]
 9300 73rd Avenue North
 Brooklyn Park, MN 55428

TITLE:				
NAME	DATE	SIZE	DWG. NO.	REV
DRAWN		A		-
RELEASED			WEIGHT: VARIES	SHEET 1 OF 2

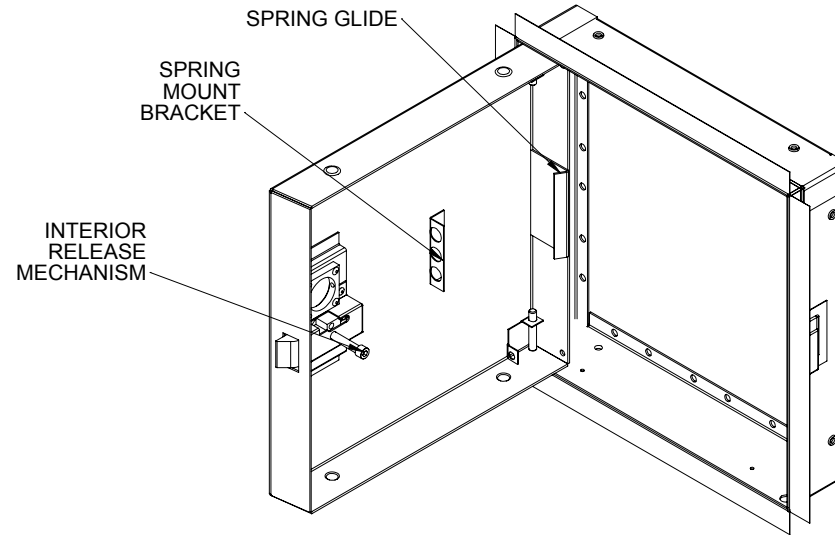
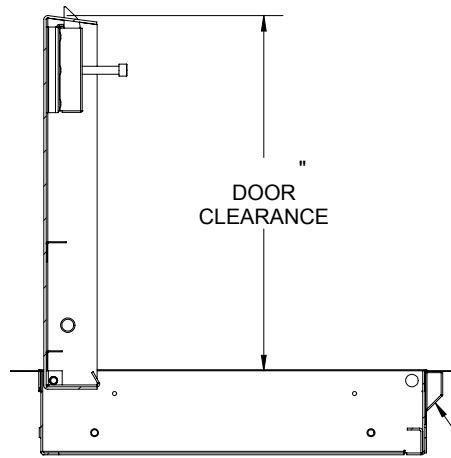
B

B



A

A



LATCH BOLT COVER
EXTENDS 1/2" BEYOND
OUTSIDE EDGE OF FRAME

Distributed by
www.Ameraproducts.com
 Phone: (800) 408-6548
 Fax: (407) 840-5545
info@ameraproducts.com

PART#:		TITLE:			
		9300 73rd Avenue North Brooklyn Park, MN 55428			
NAME	DATE	SIZE	DWG. NO.	REV	
DRAWN		A		-	
RELEASED		WEIGHT: VARIES		SHEET 2 OF 2	