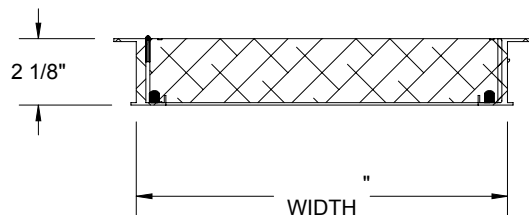
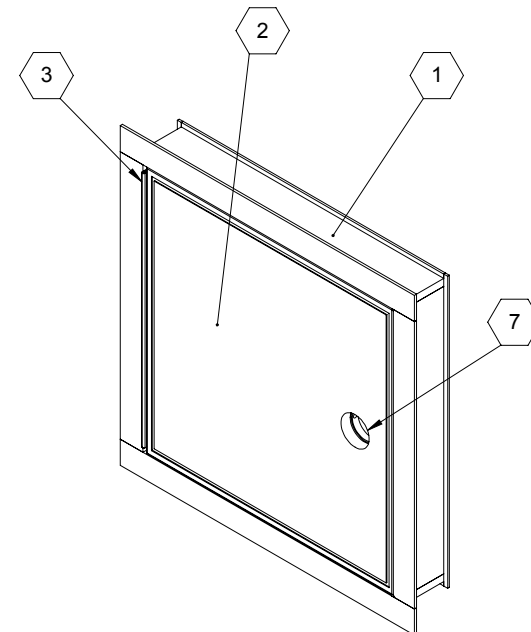


SECTION A-A



SECTION B-B

ROUGH OPENING: " X "
 CLEAR OPENING: " X "
 DEGREE OF OPENING: °
 # LATCHING POINTS:

NOTES:

- ① **FRAME:** 6063-T5 Ext Aluminum, Mill Finish
- ② **DOOR:**
- ③ **HINGE:**
- ④ **GASKET:** Coextruded PVC Leaf, Continuous Four Sides
- ⑤ **INSULATION:** Foam Insulation, 2-1/4lb Density, 12 R-Value
- ⑥ **LATCH:** No Latch
- ⑦ **LOCK:** Mortise Prep for 1 5/32"-32 thread cylinder

PROPRIETARY AND CONFIDENTIAL: THE INFORMATION CONTAINED IN THIS DRAWING IS THE SOLE PROPERTY OF BABCOCK-DAVIS. ANY REPRODUCTION IN PART OR AS A WHOLE WITHOUT THE WRITTEN PERMISSION OF BABCOCK-DAVIS IS PROHIBITED.

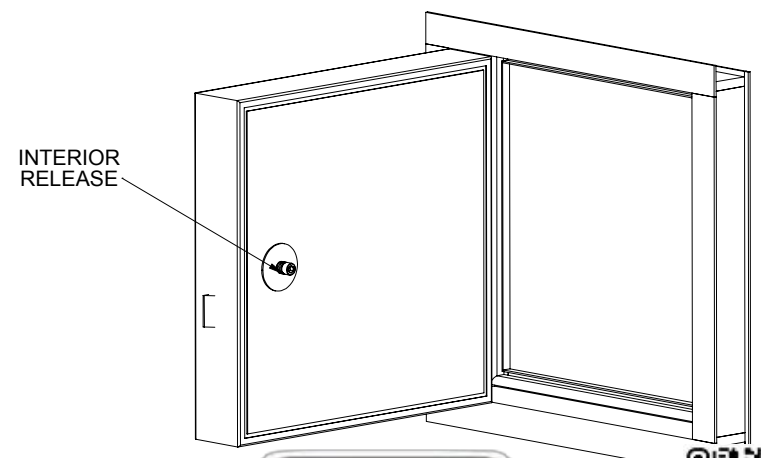
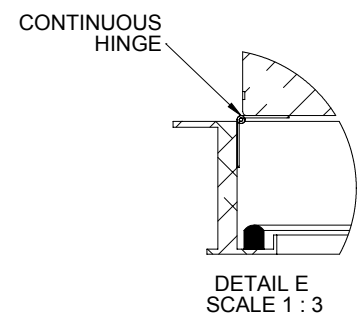
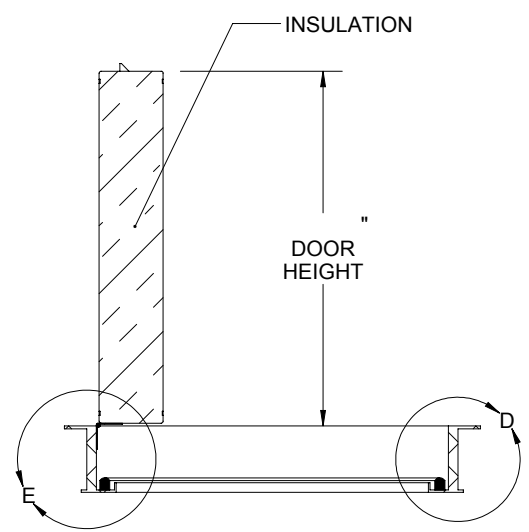
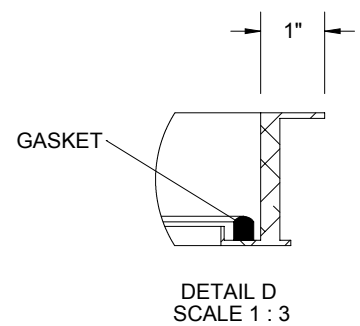
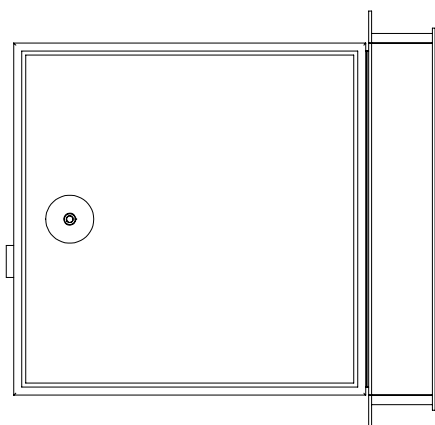
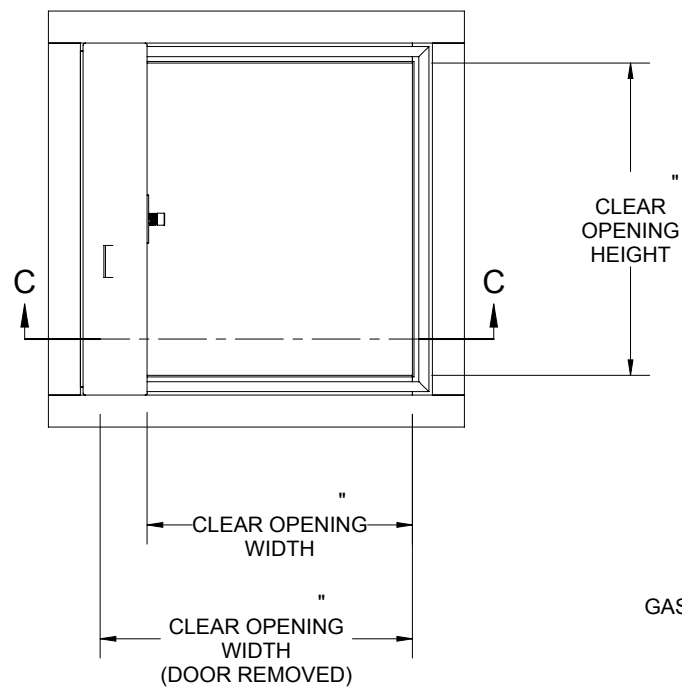
Distributed by
www.Ameraproducts.com
 Phone: (800) 408-6548
 Fax: (407) 840-5543
info@ameraproducts.com



PROJECT:				
ARCHITECT:				
CONTRACTOR:				
QTY:				
PART#:				
babcockdavis [®]	TITLE:			
9300 73rd Avenue North, Brooklyn Park, MN 55428				
NAME	DATE	SIZE	DWG. NO.	REV
DRAWN		A		A
RELEASED			WEIGHT: VARIES	SHEET 1 OF 2

B

B



Distributed by
www.Ameraproducts.com
Phone: (800) 608-6568
Fax: (407) 840-3545
info@ameraproducts.com



A

A

PART#:		TITLE:		
babcockdavis [®]				
9300 73rd Avenue North Brooklyn Park, MN 55428				
NAME	DATE	SIZE	DWG. NO.	REV
DRAWN		A		A
RELEASED		WEIGHT: VARIES		SHEET 2 OF 2

PROPRIETARY AND CONFIDENTIAL: THE INFORMATION CONTAINED IN THIS DRAWING IS THE SOLE PROPERTY OF BABCOCK-DAVIS. ANY REPRODUCTION IN PART OR AS A WHOLE WITHOUT THE WRITTEN PERMISSION OF BABCOCK-DAVIS IS PROHIBITED.