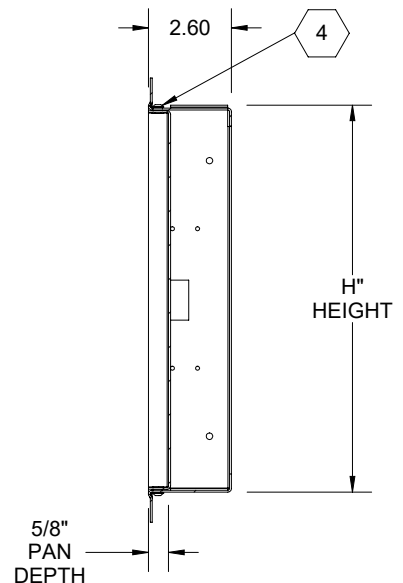
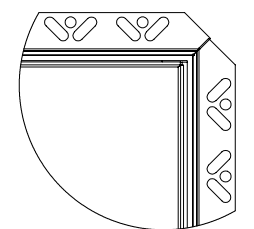
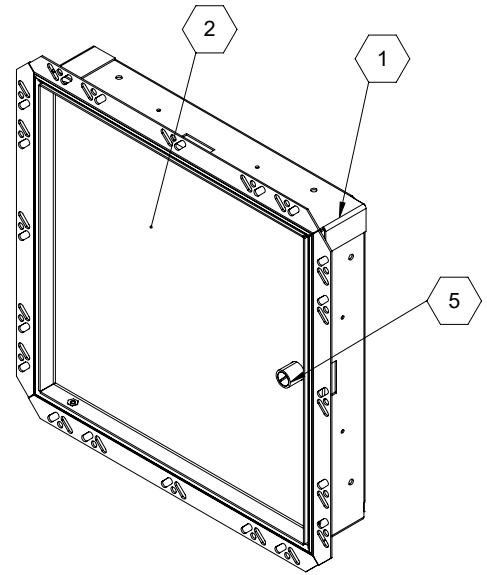


SECTION B-B



SECTION A-A



DETAIL D
DRYWALL BEAD DETAIL
SCALE 1 : 4

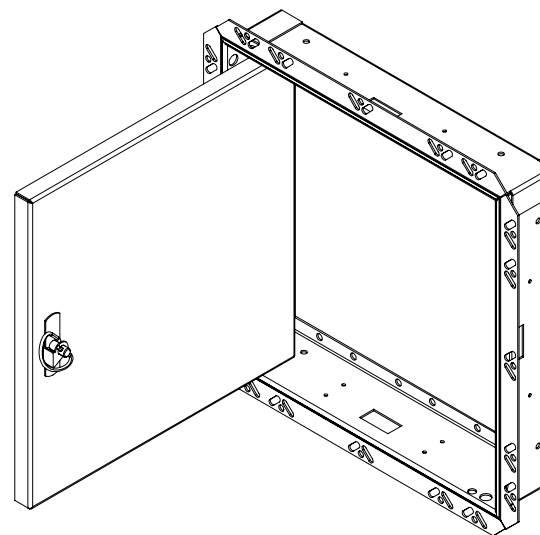
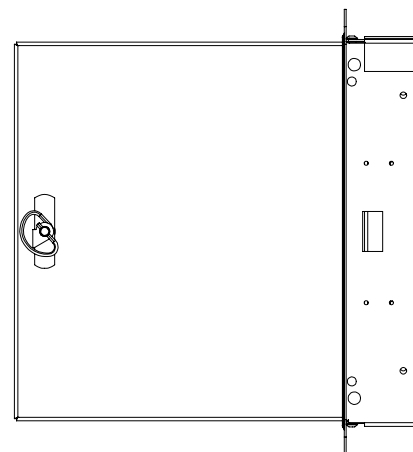
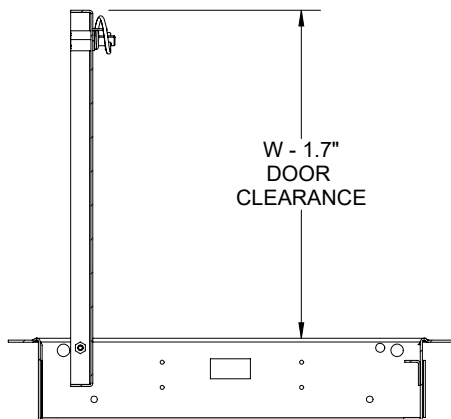
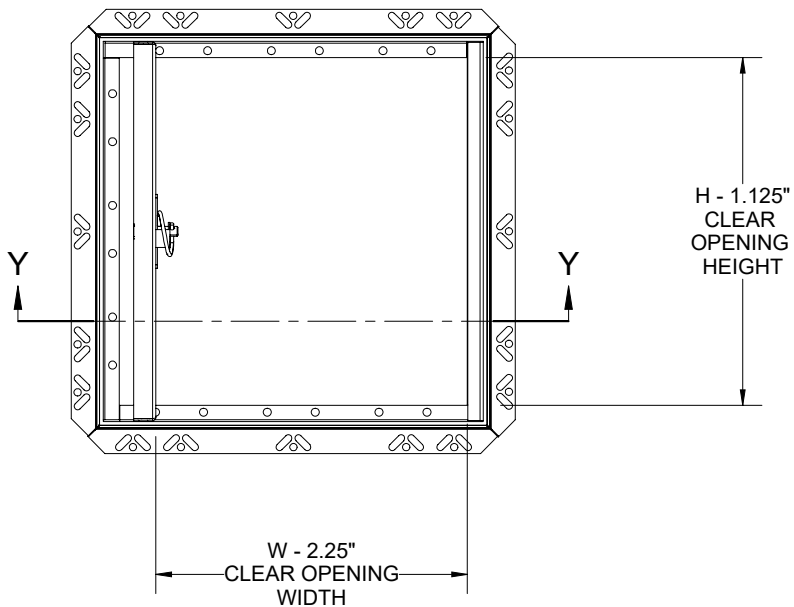
ROUGH OPENING: W + 0.25" x H + 0.25"
CLEAR OPENING: W - 2.25" x H - 1.125"
DEGREE OF OPENING: 100°
CAM QTY: NA Latch Side
 NA Top/Bottom Side

- NOTES:
- ① **FRAME:** Cold Rolled Steel 16 ga, Drywall Bead
 - ② **DOOR:** Cold Rolled Steel, 16 ga
 - ③ **FINISH:** White Powder Coat
 - ④ **HINGE:** Concealed Pin Hinge
 - ⑤ **LATCH:** Screwdriver Cam



Distributed by
www.Ameraproducts.com
 Phone: (800) 608-6548
 Fax: (407) 840-9942
info@ameraproducts.com

PROJECT:					
ARCHITECT:					
CONTRACTOR:					
QTY:					
PART#:		BRWC_			
 9300 73rd Avenue North Minneapolis, MN 55428		TITLE: Access Door, Non-rated, W x H CRS, Recess Dr, Drywall Flg			
		NAME	DATE	SIZE	DWG. NO.
DRAWN			A	BRW ShpDr	-
RELEASED			WEIGHT: VARIES	SHEET 1 OF 2	



Distributed by
www.Ameraproducts.com
 Phone: (800) 608-6568
 FAX: (409) 840-3541
info@ameraproducts.com



babcockdavis			TITLE: Access Door, Non-rated, W x H CRS, Recess Dr, Drywall Flg		
9300 73rd Avenue North Minneapolis, MN 55428			SIZE	DWG. NO.	REV
NAME	DATE		A	BRW ShpDr	-
DRAWN					
RELEASED			WEIGHT: Varies		SHEET 2 OF 2