

### Model 250W-15 — Surface-Mounted

- Frequency Series — Satin Finish
- C-Fold/Multi-Fold Towels
- Tumbler Lock

### Product Materials

**UNIT:** heavy duty, 22 gauge stainless steel with exposed surfaces in architectural satin finish. Smooth corners, free of burrs and sharp edges. Tumbler lock keyed like other Bradley units. Cabinet hinged at bottom to allow easy filling. Refill indicator slot on face of cabinet. Rolled edge on dispenser opening. Wave pattern accent.

### Capacity

525 multi-fold or 400 C-fold paper towels.

### Operation

Unit holds multi-fold or C-fold towels without use of special adapter.

### Installation

Verify all rough-in dimensions prior to installation. Secure to wall with mounting screws (not included) at holes provided. Mounting kit (#899-027) available through Bradley. Visit [bradleycorp.com](http://bradleycorp.com) for more information. Provide in-wall backing at mounting screw locations.

### Guide Specification

Surface-mounted towel dispenser shall be fabricated of heavy duty, 22 gauge stainless steel with exposed surfaces in satin finish. Refill indicator on face of cabinet. Tumbler lock to secure hinged front panel. Towel dispenser capacity 525 multi-fold or 400 C-fold towels. Wave pattern accent.

**Overall dimensions: 11"W x 15-5/16"H x 4"D.**

### ADA Compliant

- Consult local and national accessibility codes for proper installation guidelines.
- Conformity and compliance to local and national codes is the responsibility of the installer.



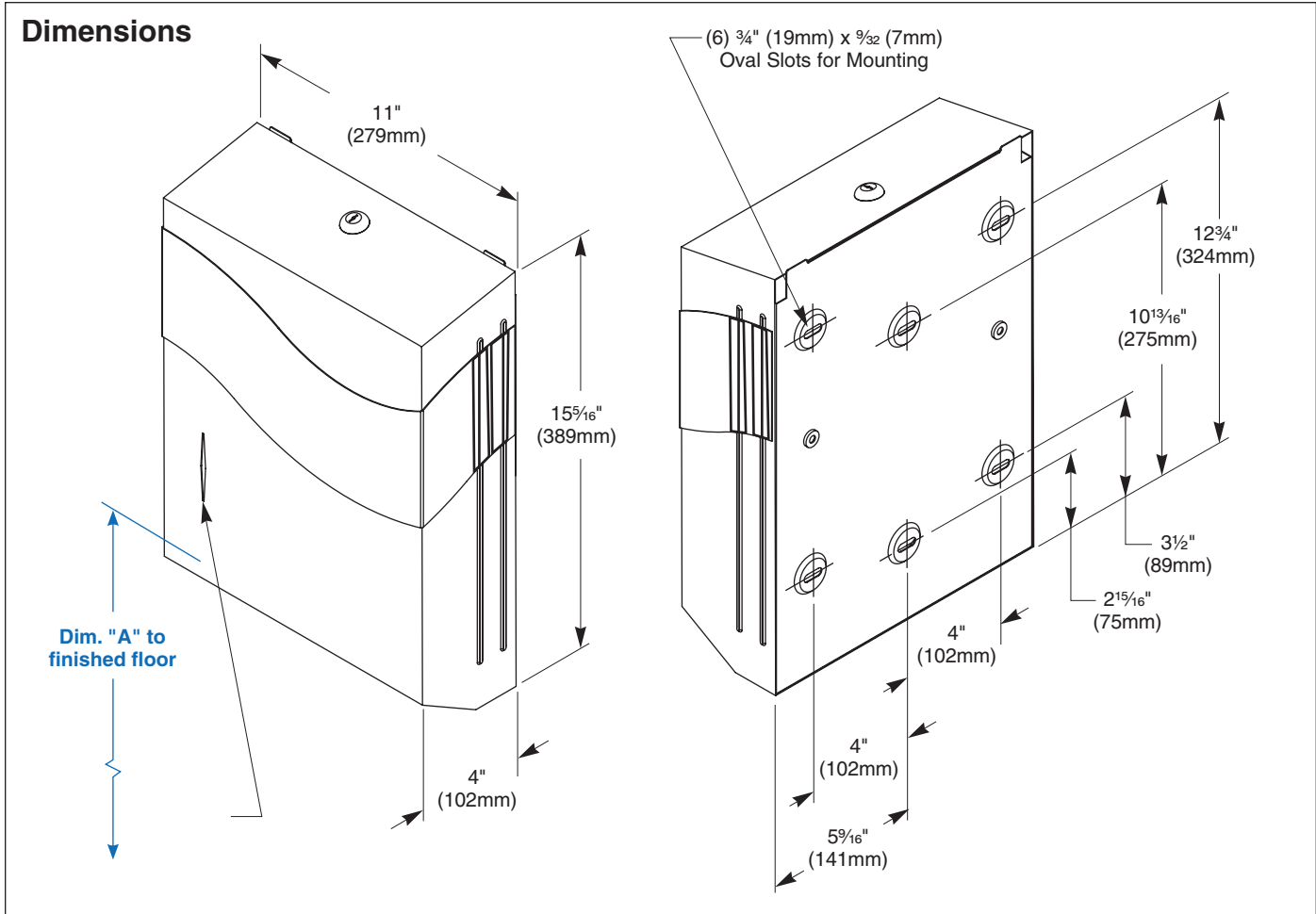
Washroom Accessories  
Document No. 8217

Distributed by  
[www.AmeraProducts.com](http://www.AmeraProducts.com)

Phone: (800) 608-6568

Fax: (409) 840-5545

[info@ameraproducts.com](mailto:info@ameraproducts.com)



Dim. "A" Key Surface:	For Dim. "A"	Top of Rough Wall Opening	Bottom of Rough Wall Opening
Paper towel top of opening to finished floor	48" (1219mm)	62 $\frac{1}{2}$ " (1588mm)	47 $\frac{3}{16}$ " (1199mm)
	45" (1143mm)	59 $\frac{1}{2}$ " (1511mm)	44 $\frac{3}{16}$ " (1122mm)
	42" (1067mm)	56 $\frac{1}{2}$ " (1435mm)	41 $\frac{3}{16}$ " (1046mm)
	40" (1016mm)	54 $\frac{1}{2}$ " (1384mm)	39 $\frac{3}{16}$ " (995mm)
<b>Rough wall opening:</b>			
Surface Mount:	No rough opening, see overall dimensions		

Washroom Accessories  
Document No. 8217