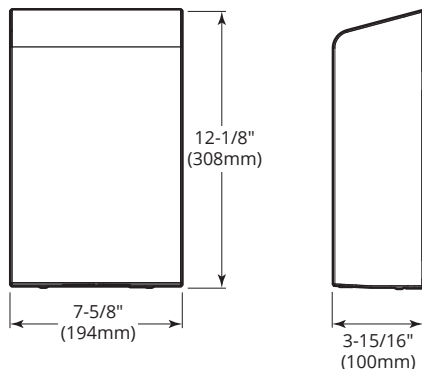




Specify Model Required:  DR-5125 115v  
 DR-5125.MBLK 115v



Electrical Specifications	
Voltage	110-120V
AMPS	7.6-8.4A
Watts	840-1000
Hz	50/60

**\*RECOMMENDED MOUNTING HEIGHTS**

Children's Washrooms, ages 3-4	36" (915mm)
Children's Washrooms, ages 5-8	40" (1015mm)
Children's Washrooms, ages 9-12	44" (1120mm)
Universal Design	48" (1219mm)

\*Bottom screw hole of mounting base to finish face of floor

**MATERIALS:**

**Cover** — Cover constructed of SUS 304 satin finish stainless steel or SUS 430 matte black finish stainless steel as specified.

**Motor/Fan** — Adjustable brush motor operating at 325-500 W, 22,000 - 29,000 RPM and delivering 86m<sup>3</sup>/h (51 CFM).

**Heating Element** — Heating element power operating at 325 - 500 W, available with on/off switch (only 110-120v).

**Electronic Control** — Dryer shall be activated by an automatic sensor and 60 second automatic shut off.

**HEPA Filter** — H13 HEPA filter available as a replacement part.

**OPERATION:**

**No-Touch Operation:** Electronic sensor automatically turns dryer on when hands are held under air outlet opening and across path of sensor. Remove hands from path of sensor and dryer stops.

**Replacement Parts:**

5125-360	Controller
5125-150 115v	Cover, Satin
5125-150.MBLK 115v	Cover, Matte Black
5125-121	Motor Brushes
5125-100	HEPA Filter

**SPECIFICATION:**

Gamco warm air hand dryer is a surface-mounted ADA compliant high speed hand dryer with a HEPA filter powered by a brush motor, and delivers up to 1000 watts of drying power. The dryer incorporates an integrated heating element with options for operation with, or without, heated air. A sensor is used to automatically activate the dryer. These models are intended for use in commercial, industrial, office and public facility environments.

Surface-mounted ADA compliant high speed hand dryer with HEPA filter shall have either satin finish or matte black finish cover, as specified. Brush motor shall be adjustable, operating at between 22,000 and 29,000 rpm and delivering up to 86m<sup>3</sup>/h (51 CFM) warm air speed output. The heating element shall be configurable in on/off options. The dryer shall operate at 110-120 volts, 50/60 Hz, 7.6-8.4A and up to 1000 watts. The dryer shall be rated for IP24 protection. Dryer controller will automatically energize the dryer when hands are detected in the adjustable sensing range. The dryer will either automatically turn off immediately after hands are removed, or after 60 seconds of continuous usage. The unit shall be UL, CE, EMC, LVD, CB, WEEE, ROHS certified. Unit shall be protected by a limited 5 year warranty on all parts except motor brushes and HEPA filters from date of purchase.

**Surface-mounted ADA compliant high speed hand dryer with HEPA filter shall be Model DR-5125 115v of Gamco Commercial Restroom Accessories, A Division of Bobrick Washroom Equipment, Inc., One Gamco Place, Durant, OK, 74701-1910**