

SUBMITTAL: COSMOPOLITAN™ FIRE EXTINGUISHER CABINETS - SURFACE-MOUNT ROLLED EDGE

The Cosmopolitan Series in Stainless Steel Is a Modern, Clean Look for Surface-Mounted Cabinets.

Door & Trim Construction: # 4 stainless steel. Flush cabinet doors with a 5/8" door stop are attached by a continuous hinge and equipped with zinc-plated handle and roller catch. All models have 1-3/4" wide trim on frame and 1-1/4" trim on doors with glazing.

Trim Style & Depth: Surface-Mount Rolled Edge .

Tub: The tub is constructed of stainless steel.

Fire-Rated Option Available: No



**1039F10 Rolled Edge
Surface Mount**

STEP 1: SELECT MODEL NUMBER AND QUANTITY ON CHART (refer to chart on pg 2)

- A. Determine Trim Style according to wall depth.
- B. Determine Tub I.D. according to size most suited for extinguisher and wall opening.

STEP 2: SELECT DOOR STYLE WITH HANDLE

Check one box below Examples on Page 2

- | | |
|---|---|
| <input type="checkbox"/> F Full Glazing | <input type="checkbox"/> L22 Solid with SAF-T-LOK™ |
| <input type="checkbox"/> G Full Glazing with SAF-T-LOK™ | <input type="checkbox"/> L24 Solid with Cylinder Lock - No Handle |
| <input type="checkbox"/> D Horizontal Duo Panel | <input type="checkbox"/> V Vertical Duo |
| <input type="checkbox"/> E Horizontal Dual Panel with SAF-T-LOK™ | <input type="checkbox"/> W Vertical Duo with SAF-T-LOK™ |
| <input type="checkbox"/> S21 Solid Door | <input type="checkbox"/> B Solid with Small View Window & SAF-T-LOK™ |

STEP 3: SELECT DOOR GLAZING


(Check one box below)

- | | | |
|--|---|---|
| <input type="checkbox"/> 10 Clear Acrylic | <input type="checkbox"/> 15 Bronze Acrylic | <input type="checkbox"/> 17 Clear Tempered Glass |
| <input type="checkbox"/> 13 Clear Wire Glass with Safety Film | <input type="checkbox"/> 16 Gray Acrylic | <input type="checkbox"/> 18 Laminated Safety Glass |

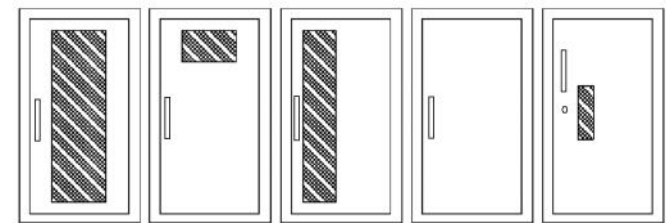
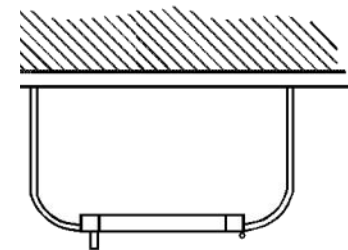
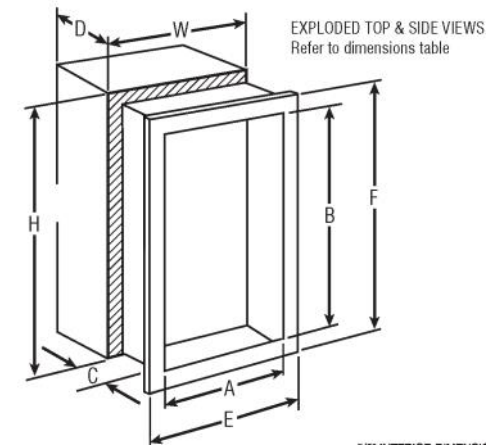
STEP 4: OPTIONAL FEATURES AT ADDED COST (SELECT ANY)

- | | | | |
|---|--|--|---|
| <input type="checkbox"/> Optional Tub Color: ___ Black ___ Red | <input type="checkbox"/> Black Vertical FE Letters LDCVBF | <input type="checkbox"/> Black Vertical Decal LDVBF | <input type="checkbox"/> CA Commander Alarm |
| <input type="checkbox"/> Futura "Fire" Pull ___ Mill Alum ___ Red ___ White | <input type="checkbox"/> Red Vertical FE Letters LDCVRF | <input type="checkbox"/> Red Vertical Decal LDVRF | <input type="checkbox"/> BA Brigadier Alarm |
| <input type="checkbox"/> Flush Pull Handle PRH | <input type="checkbox"/> White Vertical FE Letters LDCVWF | <input type="checkbox"/> White Vertical Decal LDVWF | <input type="checkbox"/> SA Strobe Alarm (Surface Mount Models) |
| <input type="checkbox"/> Polished Chrome Handle PUCH | <input type="checkbox"/> Black Horizontal FE Letters LDCHBF | <input type="checkbox"/> Black Horizontal Decal LDHBF | <input type="checkbox"/> Vertical Red FE Silkscreen Lettering- SSFELVR ___ Door ___ Glass |
| <input type="checkbox"/> Stainless Pull Handle PUS-US32D | <input type="checkbox"/> Red Horizontal FE Letters LDCHRFE | <input type="checkbox"/> Red Horizontal Decal LDHRFE | <input type="checkbox"/> Lettering: Etched on Glass, Engraved on Metal, Silkscreen; Not available for #7 or #8 finish on doors. Attach separate submittal to order. |
| <input type="checkbox"/> Other Stainless Finish: ___ #6 ___ #7 ___ #8 | <input type="checkbox"/> White Horizontal FE Letters LDCHWF | <input type="checkbox"/> White Horizontal Decal LDHWF | |

It is the responsibility of the customer to communicate specifications and product performance requirements that are needed for their application. This document is intended to convey potential product configurations and offerings. It is not to be used to imply or represent a specification or rating, of finished products shipped. Detailed, specific submittals can be created upon request. It is the responsibility of the customer to specify product accordingly to comply with local laws, codes, and ordinances.

 <p>JL INDUSTRIES</p> <p>9702 Newton Av S. Bloomington, MN 55431</p>	<p>Distributed by www.AmeraProducts.com</p> <p>Phone: (800) 608-6568 Fax: (409) 840-5545 info@ameraproducts.com</p>	Distributor:		Project:	
		Contractor:		Approved By:	
		Date:	Quantity:	Architect:	
		Scale: N/A	Pages: 1 of 2	Item #	

TRIM & DOOR SERIES #			Tub I.D.			Frame O.D.		**Fits Fire Extinguisher
QTY	Model	Trim Style	A	B	C	E	F	
	8139	Surface Mount Rolled Edge All Stainless Construction	12 3/16	21 3/16	6	12 3/8	21 3/8	Cosmic & Galaxy 2 1/2-6 Mercury 2 1/2- 5
	1039	Surface Mount Rolled Edge All Stainless Construction	13 11/16	27 3/16	6 1/2	13 7/8	27 3/8	Cosmic & Galaxy 2 1/2-10, Sentinel 5, Mercury 2 1/2- 5
	2039	Surface Mount Rolled Edge All Stainless Construction	15 3/16	30 3/16	8 1/4	15 3/8	30 3/8	Any Cosmic or Galaxy, Grenadier P, Mercury, Saturn, Sentinel 5, 10 & Nebula 270
	3039	Surface Mount Rolled Edge All Stainless Construction	19 3/16	35 3/16	8 1/4	19 3/8	35 3/8	Any Cosmic or Galaxy, Grenadier P, Mercury, Saturn, Sentinel 5- 15 & Nebula 270, 250, 272
	4039	Surface Mount Rolled Edge All Stainless Construction	23 3/16	30 3/16	8 1/4	23 3/8	30 3/8	Two each of: any Cosmic or Galaxy, Grenadier P, Mercury, Saturn or Sentinel 5



- F - Full glass with pull handle
- G - Full glass with pull handle and Saf-T-Lok (Not Shown)
- D - Horizontal duo panel with pull handle
- E - Horizontal duo panel with pull handle and Saf-T-Lok. (Not Shown)
- V - Vertical duo panel with pull handle
- W - Vertical duo panel with pull handle and Saf-T-Lok. (Not Shown)
- S21 - Solid with pull handle
- L22 - Solid with pull handle and Saf-T-Lok
- L24 - Solid with cylinder key lock
- B - Solid with pull handle, view window and Saf-T-Lok

ADA Cabinet Mounting Height: Standard Pull on G, E, W, L22 and B Door Styles with Saf-T-Lok are 3 5/8" Higher than Door Center, so Allow for that When Mounting Cabinet. Standard Pull with No Lock or Flush Pull are Centered on Door.

** It is our recommendation that extinguishers be mounted on the back of the tub wall for these cabinet models.