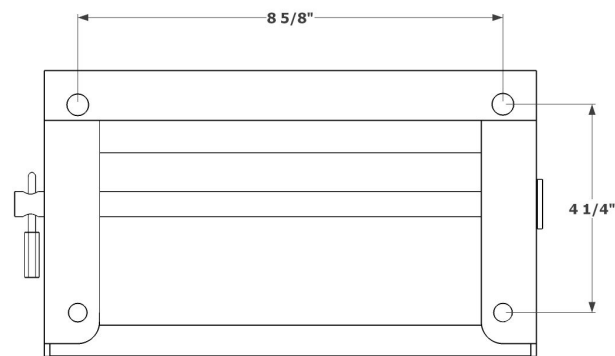
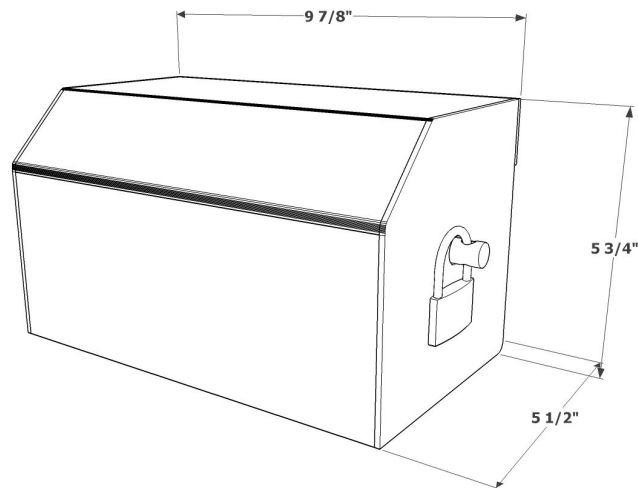
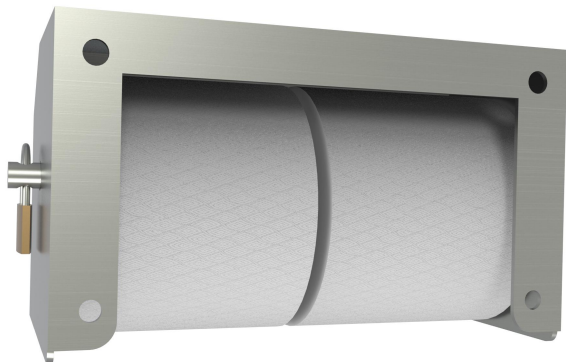
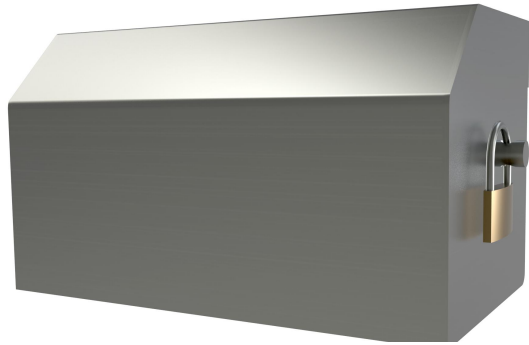




AA-HRTD-LCx2E Two Standard Roll Toilet Paper Dispenser



Features:

- Vandal Resistant
- Industrial Grade Heavy Duty
- Made in USA
- Drip Deflective
- Surface Mounted
- Accommodates Multiple Standard Roll Paper Styles
- Corrosion Resistant
- Industry Leading Warranty against Vandalism

Dimensions: 9 7/8" x 5 3/4" x 5 1/2" (WxHxD)

Material Options:

- 12 gauge 304L Stainless Steel
- 16 gauge 304L Stainless Steel
- 12 gauge 316L Stainless Steel

Model Names:

- AA-HRTD-LCx2E-304L-12g
- AA-HRTD-LCx2E-304L-16g
- AA-HRTD-LCx2E-316L-12g

Finish: Stainless Steel Satin # 4 Finish

Mounting: 3/8" Mounting Hole Placements

Capacity:

- 2 Standard Core Roll Up to 5 Diameter"
- 2 High Density Coreless Roll up to 5" Diameter

Installation: Secure fixture to wall with appropriate 3/8" Stainless Steel anchoring hardware for optimal installation strength (not provided). Recommend 3/4" or greater back bracing for walls. Partitions may require T-nuts or other suitable anchoring devices. When possible it is recommended that units be through bolted back-to-back providing optimal installation strength.

Guide Specification: Dispenser shall be constructed with American made, 12 or 16 gauge 304L or 12 gauge 316L Stainless Steel joined /w TIG welds and edges de-burred. Dispenser shall not be cross-metal contaminated during manufacturing construction. Dispenser housing shall provide protective cover for tissue paper against drip and spray. Protective shroud adds security for padlock. Dispenser shall have 3/8" mounting holes. Dispenser shall accept multiple paper styles. 316L SS shall be used for US Navy maritime use or if exposure to salt water is prevalent.

Warranty: See Website Product Page for Details.

